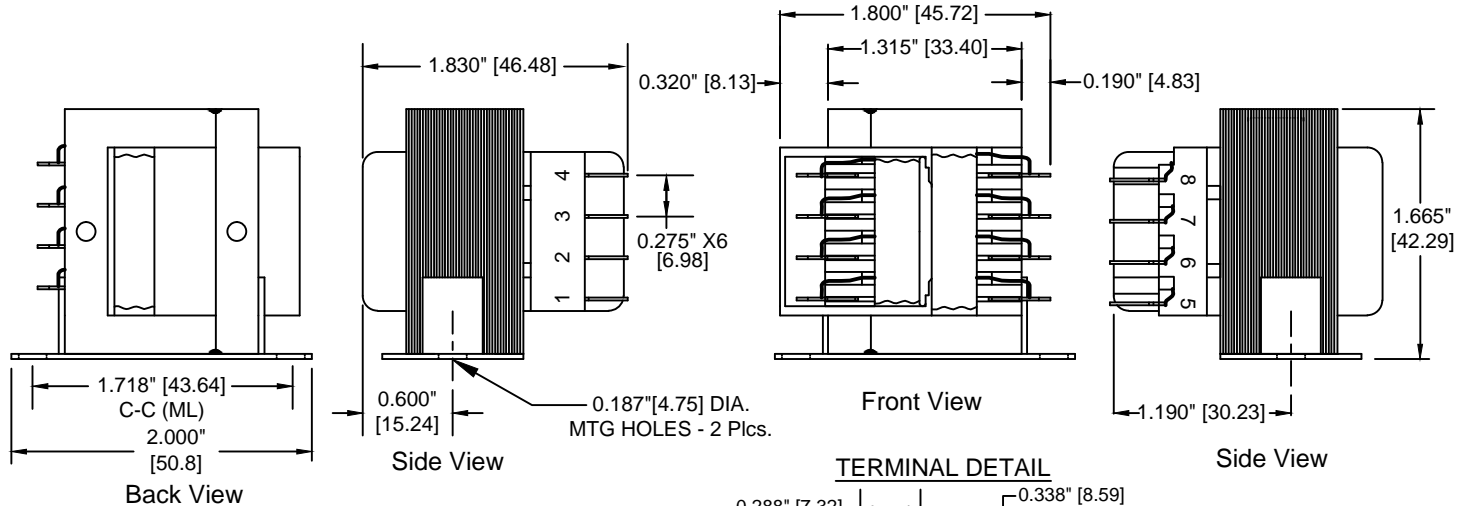


SPWC-4500 Series: 6 VA International Chassis Mount Power transformers with dual 115/230V primaries and dual secondaries. These transformers provide the high isolation, creepage and clearance distances necessary to comply with international safety standards.

- Dielectric Strength - 4500Vrms Hipot primary - secondary
- Dual Primaries (must be used either Series or Parallel connected as one winding) 115/230V, 50/60Hz
- Insulation System - Class B (130 °C), UL 1446 (File E85315)
- Shrouded primary, Three flange bobbin, no electrostatic shield required
- 100% Final Tested - Every transformer is tested on automated panels for induced voltage (shorted turns), exciting current, open circuit voltage (turns ratio), polarity (phasing) and dielectric strength
- Dual Secondaries - Series or Parallel
- Immersed in 100% solids epoxy resin to withstand most aqueous and solvent cleaning systems
- Flammability - Bobbin and Shroud Material meets UL 94-VO
- Terminals - Solder Lug/Quick connect type - 0.187"
- Other primary and secondary voltages may be custom designed

All dimensions for reference only. []=mm

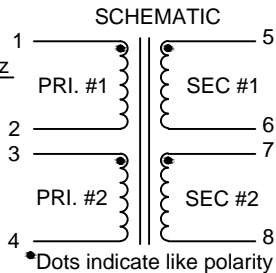


PRIMARY AND SECONDARY WINDINGS ARE DESIGNED TO BE USED AS ONE PRIMARY AND ONE SECONDARY WINDING WITH EITHER PARALLEL OR SERIES CONNECTION ONLY.

INPUT VOLTAGE 1 - 4 (TIE 2-3), 230V, 50/60Hz
 INPUT VOLTAGE 1 - 4 (TIE 1-3, 2-4), 115V, 50/60Hz

SECONDARY PARALLEL CONNECTIONS:
 TIE 5-7, 6-8; OUTPUT 5-8

SECONDARY SERIES CONNECTIONS:
 TIE 6-7; OUTPUT 5-8



FUSE TYPES/VALUES USED TO GAIN SAFETY AGENCY COMPONENT RECOGNITION

PREM PART NUMBER	FUSE CIRCUIT LOCATION	FUSE MFR	FUSE PART NO.	
			115V INPUT	230V INPUT
SPWC-4500 - 4510	Primary	* L	218.100	218.050

* L = Littelfuse, Inc., Des Plaines, IL

RMS RATING WITH SECONDARIES CONNECTED IN:

Part Number	VA	CONNECTED IN:	
		Series	Parallel
SPWC-4500	6	10Vct @ 600mA	5V @ 1.2A
SPWC-4501	6	12.6Vct @ 500mA	6.3V @ 1.0A
SPWC-4502	6	16Vct @ 400mA	8V @ 800mA
SPWC-4503	6	20Vct @ 300mA	10V @ 600mA
SPWC-4504	6	24Vct @ 250mA	12V @ 500mA
SPWC-4505	6	28Vct @ 200mA	14V @ 400mA
SPWC-4506	6	36Vct @ 170mA	18V @ 340mA
SPWC-4507	6	48Vct @ 125mA	24V @ 250mA
SPWC-4508	6	56Vct @ 110mA	28V @ 220mA
SPWC-4509 **	6	120Vct @ 50mA	60V @ 100mA
SPWC-4510 **	6	230Vct @ 26mA	115V @ 52mA

**Voltage ratings cannot be approved under UL 1585

SPWC-4500 Series

Notes

Agency Approvals:

UL 1446 (File E85315)

TUV-US: TUV tested to:
 UL1585(Class 2 and Class 3): 1998 R2.01
 (Cert US 72031605 01)
 SPWC-4500-4508

TUV-C US: TUV tested to:
 UL 60950: 2000 & CAN/CSA-22.2 No. 60950-00
 (Cert CU 72031606 01)

TUV:
 -EN 60950-1:2006+A11+A1+A12 (Cert R 72111553)

- Type tested to:
 EN 60601-1 Construction :1990+A1+A2+A13,
 UL 60601-1:2003

-4	Upgrade agency approvals	11/09/15
-3	Add Bullets	3/12/15
-2	Chg. () to []=mm	12/4/14
-1	Add Single wdg.verbiage	12/4/14

PREM
 MAGNETICS INCORPORATED
 3521 N. CHAPEL HILL RD.
 JOHNSBURG, IL 60050

PREM PART SPWC-4500 INTERNATIONAL CHASSIS SERIES

Approved: TJ KLOTZ

Scale: None

Date: 03/16/2004