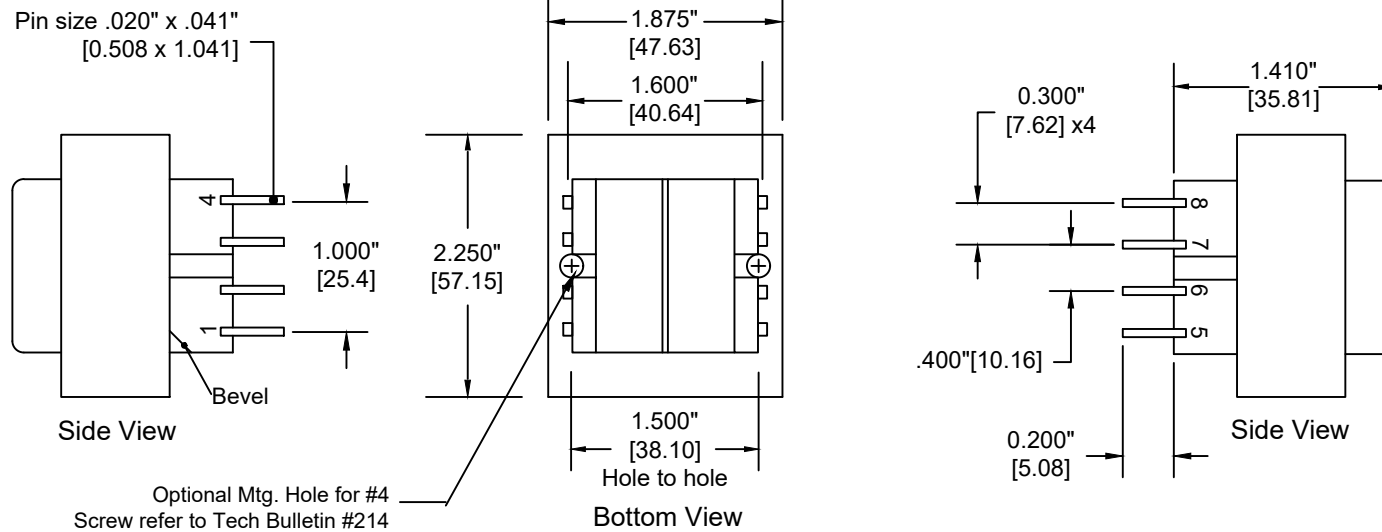


SPW-610-D Series : 20 VA Standard Profile PC Mount Power transformers with dual 115/230V primaries and dual secondaries for Domestic power applications. Split bobbin construction provides excellent primary to secondary isolation.

- Dielectric Strength - 2500Vrms Hipot primary - secondary
- Dual Primaries (must be used either Series or Parallel connected as one winding), 115/230V, 60 Hz
- Dual Secondaries - Series or Parallel
- UL Recognized CLASS B (130°C) Insulation system, UL 1446 (File E85315)
- Three flange bobbin design, no electrostatic shield required
- 100% Final Tested - Every transformer is tested on automated panels for induced voltage (shorted turns), exciting current, open circuit voltage (turns ratio), polarity (phasing) and dielectric strength
- Immersed in 100% solids epoxy resin to withstand most aqueous and solvent cleaning systems
- Other primary and secondary voltages may be custom designed to your specifications
- Anchor, insulating and crossover tapes. Two distinct, separate windings for each primary and secondary assure excellent Hipot capability between these windings

All dimensions for reference only. [ ]=mm



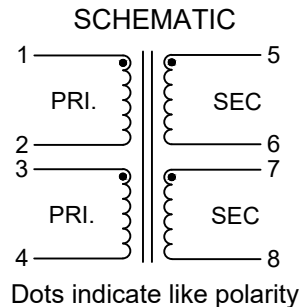
PRIMARY AND SECONDARY WINDINGS ARE DESIGNED TO BE EACH USED AS ONE WINDING WITH EITHER PARALLEL OR SERIES CONNECTIONS ONLY!

Dual Primary (-D)

INPUT VOLTAGE 1 - 4 (Tie 2-3) 230V, 60Hz  
 INPUT VOLTAGE 1 - 4 (Tie 1-3, 2-4) 115V, 60Hz

SECONDARY PARALLEL CONNECTIONS:  
 TIE 5-7, 6-8; OUTPUT 5-8

SECONDARY SERIES CONNECTIONS:  
 TIE 6-7; OUTPUT 5-8



RMS RATING WITH SECONDARIES CONNECTED IN:

Part Number	VA	Series	Parallel
SPW-610-D	20	10Vct@2.0A	5V@4.0A
SPW-611-D	20	12.6Vct@1.6A	6.3V@3.2A
SPW-612-D	20	16Vct@1.25A	8V@2.5A
SPW-613-D	20	20Vct@1.0A	10V@2.0A
SPW-614-D	20	24Vct@800mA	12V@1.6A
SPW-615-D	20	28Vct@700mA	14V@1.4A
SPW-616-D	20	36Vct@550mA	18V@1.1A
SPW-617-D	20	48Vct@400mA	24V@800mA
SPW-618-D	20	56Vct@350mA	28V@700mA
SPW-619-D	20	120Vct@160mA	60V@320mA

## SPW-610-D Series

### Notes

Agency Approvals:

UL:  
 -1446 (File E85315)  
 -506 / 5085-2 General Purpose (File E96326)

CSA-C22.2 No. 66.1-06,  
 66.2-06 General Purpose (File 063944)

FUSING THE TRANSFORMER TO MEET SAFETY AGENCY REQUIREMENTS IS THE RESPONSIBILITY OF THE CUSTOMER.

-1 Update CSA approval 8-7-15

# PREM

MAGNETICS INCORPORATED  
 3521 N. CHAPEL HILL RD.  
 JOHNSBURG, IL 60051

PREM PART SPW-610-D  
 DOMESTIC SERIES

Approved: R. RANDOW

Scale: None

Date: 04/09/2015