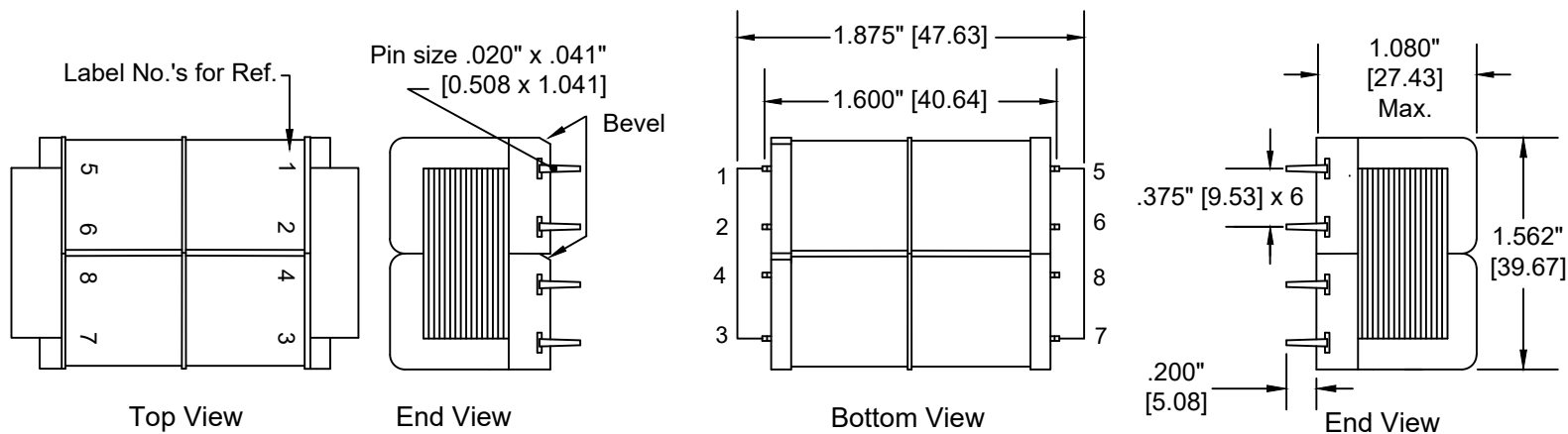


SPW-150 Series: 9 VA Low Profile PC Mount Power transformers with dual 115/230V primaries and dual secondaries. Ideal for Domestic low power applications where minimum height is required. Split bobbin construction provides excellent primary to secondary isolation.

- Dielectric Strength - 1500Vrms Hipot primary - secondary
- Dual Primaries (must be used either Series or Parallel connected as one winding), 115/230V, 60 Hz
- Dual Secondaries - Series or Parallel
- Height - 1.080" (27.43mm)
- UL Recognized CLASS B (130°C) Insulation system, UL 1446 (File E85315)
- Three flange bobbin design, no electrostatic shield required
- 100% Final Tested - Every transformer is tested on automated panels for induced voltage (shorted turns), exciting current, open circuit voltage (turns ratio), polarity (phasing) and dielectric strength
- Also available: Our internationally approved **SPW-3150 Series** which is pin-for-pin compatible with the Domestic SPW-150 Series
- Immersed in 100% solids epoxy resin to withstand most aqueous and solvent cleaning systems
- Other primary and secondary voltages may be custom designed to your specifications
- Anchor, insulating and crossover tapes. Two distinct, separate windings for each primary and secondary assure excellent Hipot capability between these windings

All dimensions reference only unless otherwise specified. [ ]=mm

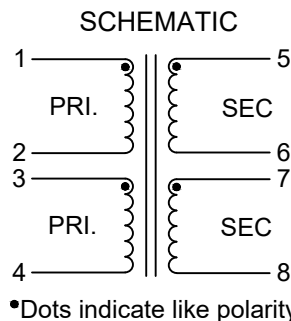


PRIMARY AND SECONDARY WINDINGS ARE DESIGNED TO BE EACH USED AS ONE WINDING WITH EITHER PARALLEL OR SERIES CONNECTIONS ONLY!

INPUT VOLTAGE 1 - 4 (Tie 2-3) 230V, 60Hz  
 INPUT VOLTAGE 1 - 4 (Tie 1-3, 2-4) 115V, 60Hz

SECONDARY PARALLEL CONNECTIONS:  
 TIE 5-7, 6-8; OUTPUT 5-8

SECONDARY SERIES CONNECTIONS:  
 TIE 6-7; OUTPUT 5-8



RMS RATING WITH SECONDARIES CONNECTED IN:

Part Number	VA	Series		Parallel	
		Voltage	Current	Voltage	Current
SPW-150	9.0	10Vct	@900mA	5V	@1.8A
SPW-151	9.0	12.6Vct	@715mA	6.3V	@1.43A
SPW-152	9.0	16Vct	@562mA	8V	@1.125A
SPW-153	9.0	20Vct	@450mA	10V	@900mA
SPW-154	9.0	24Vct	@375mA	12V	@750mA
SPW-155	9.0	34Vct	@265mA	17V	@530mA
SPW-156	9.0	40Vct	@225mA	20V	@450mA
SPW-157	9.0	56Vct	@161mA	28V	@322mA
SPW-158	9.0	88Vct	@102mA	44V	@204mA
SPW-159	9.0	120Vct	@75mA	60V	@150mA
SPW-160	9.0	230Vct	@39mA	115V	@78mA
SPW-161	9.0	30Vct	@300mA	15V	@600mA

## SPW-150 Series

### Notes

Agency Approvals:

UL:  
 -1446 (File E85315)  
 -506 / 5085-2 General Purpose (File E96326)

CSA-C22.2 No. 66.1-06,  
 66.2-06 General Purpose (File 063944)

FUSING THE TRANSFORMER TO MEET SAFETY AGENCY REQUIREMENTS IS THE RESPONSIBILITY OF THE CUSTOMER.

-2 Fixed width mm dim	3-6-18
-1 Update CSA approval	8-7-15

# PREM

MAGNETICS INCORPORATED  
 3521 N. CHAPEL HILL RD.  
 JOHNSBURG, IL 60051

PREM PART SPW-150  
 DOMESTIC SERIES

Approved: R. RANDOW

Scale: None

Date: 04/08/2015