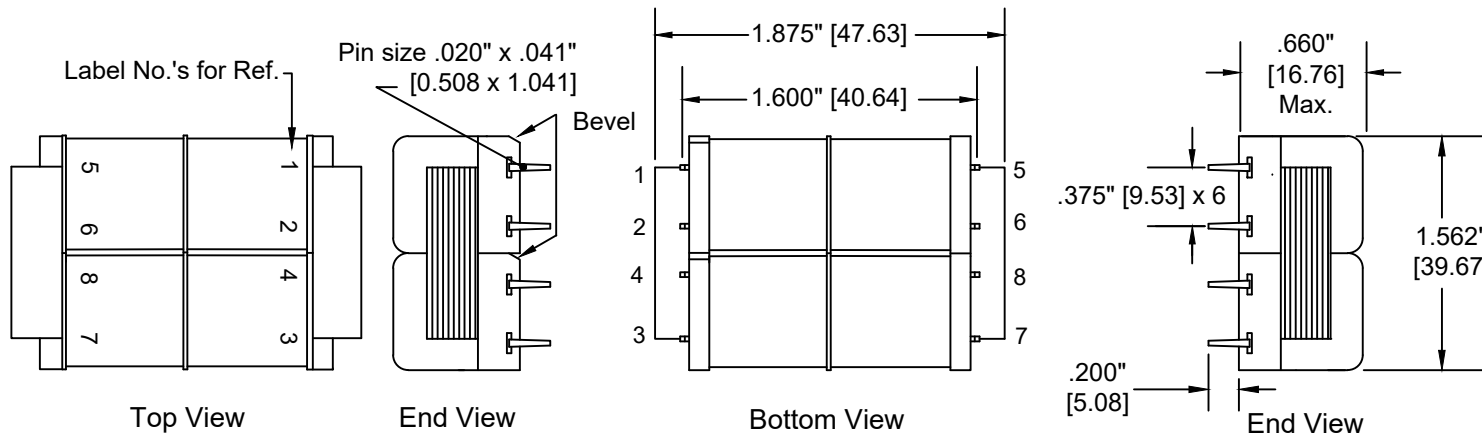


SPW-050 Series: 2.5 VA Low Profile PC Mount Power transformers with dual 115/230V primaries and dual secondaries. Ideal for Domestic low power applications where minimum height is required. Split bobbin construction provides excellent primary to secondary isolation.

- Dielectric Strength - 1500Vrms Hipot primary - secondary
- Dual Primaries (must be used either Series or Parallel connected as one winding), 115/230V, 60 Hz
- Dual Secondaries - Series or Parallel
- Height - 0.66" (16.76mm)
- UL Recognized CLASS B (130°C) Insulation system, UL 1446 (File E85315)
- Three flange bobbin design, no electrostatic shield required
- 100% Final Tested - Every transformer is tested on automated panels for induced voltage (shorted turns), exciting current, open circuit voltage (turns ratio), polarity (phasing) and dielectric strength
- Also available: Our internationally approved **SPW-3050 Series** which is pin-for-pin compatible with the Domestic SPW-050 Series
- Immersed in 100% solids epoxy resin to withstand most aqueous and solvent cleaning systems
- Other primary and secondary voltages may be custom designed to your specifications
- Anchor, insulating and crossover tapes. Two distinct, separate windings for each primary and secondary assure excellent Hipot capability between these windings

All dimensions reference only unless otherwise specified. []=mm

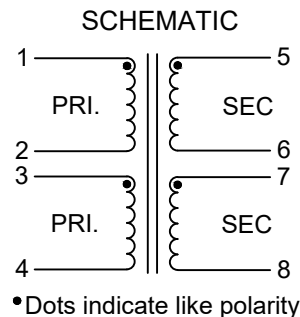


PRIMARY AND SECONDARY WINDINGS ARE DESIGNED TO BE EACH USED AS ONE WINDING WITH EITHER PARALLEL OR SERIES CONNECTIONS ONLY!

INPUT VOLTAGE 1 - 4 (Tie 2-3) 230V, 60Hz
 INPUT VOLTAGE 1 - 4 (Tie 1-3, 2-4) 115V, 60Hz

SECONDARY PARALLEL CONNECTIONS:
 TIE 5-7, 6-8; OUTPUT 5-8

SECONDARY SERIES CONNECTIONS:
 TIE 6-7; OUTPUT 5-8



RMS RATING WITH SECONDARIES CONNECTED IN:

Part Number	VA	Series	Parallel
SPW-050	2.5	10Vct@250mA	5V@500mA
SPW-051	2.5	12.6Vct@200mA	6.3V@400mA
SPW-052	2.5	16Vct@150mA	8V@300mA
SPW-053	2.5	20Vct@125mA	10V@250mA
SPW-054	2.5	24Vct@100mA	12V@200mA
SPW-055	2.5	34Vct@75mA	17V@150mA
SPW-056	2.5	40Vct@60mA	20V@120mA
SPW-057	2.5	56Vct@45mA	28V@90mA
SPW-058	2.5	88Vct@28mA	44V@56mA
SPW-059	2.5	120Vct@20mA	60V@40mA
SPW-060	2.5	230Vct@10mA	115V@20mA
SPW-061	2.5	30Vct@85mA	15V@170mA

SPW-050 Series

Notes

Agency Approvals:

UL:
 -1446 (File E85315)
 -506 / 5085-2 General Purpose (File E96326)

CSA-C22.2 No. 66.1-06,
 66.2-06 General Purpose (File 063944)

FUSING THE TRANSFORMER TO MEET SAFETY AGENCY REQUIREMENTS IS THE RESPONSIBILITY OF THE CUSTOMER.

-2	Fixed width mm dim	3-6-18
-1	Update CSA approval	8-7-15

PREM

MAGNETICS INCORPORATED
 3521 N. CHAPEL HILL RD.
 JOHNSBURG, IL 60051

PREM PART SPW-050
 DOMESTIC SERIES

Approved: R. RANDOW

Scale: None

Date: 04/08/2015