

- METRIC SIZE, LOW COST AUDIO TRANSFORMER. IMPORTED FROM OFFSHORE
- DESIGNED FOR DRY (NO DC) CIRCUITS.
- UNITS TESTED, INSPECTED AND APPROVED BY PREM'S QUALITY ASSURANCE DEPARTMENT

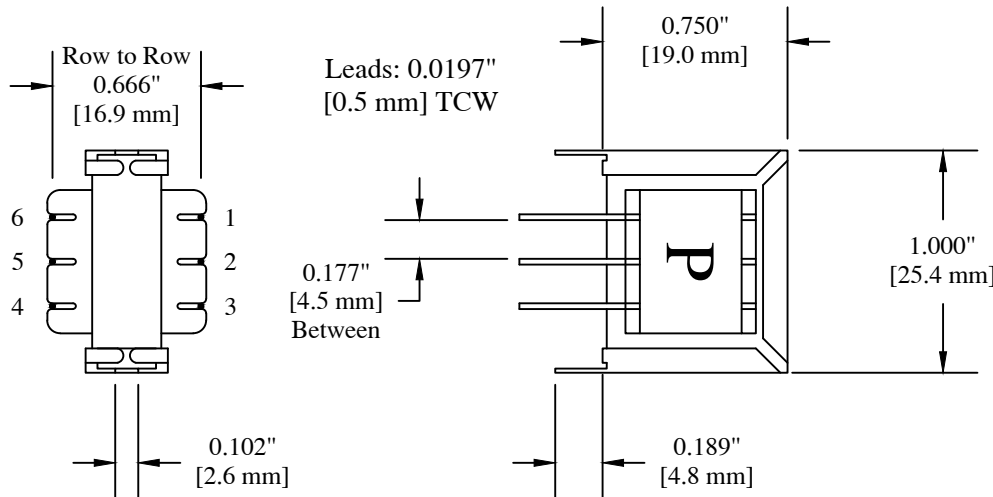
REVISIONS			
DATE	REV	DESCRIPTION	APPVD
02-26-2016	-1	Updated entire drawing.	TJK
10-28-2016	-2	Changed lead diameter, was .48mm 0.02", #24 ga	TJK
04-04-2018	-3	Corrected row to row dim., lead positions added Impedance and DCR parameters	TJK
05-04-2018	-4	Updated lead info (was 0.0196" [0.5] #24 AWG TCW); added "mm" to all millimeter dimensions (in brackets)	TJK / AG

Dielectric Strength: 1000Vrms P-S-C

Impedance +/- 10% @ 1KHZ

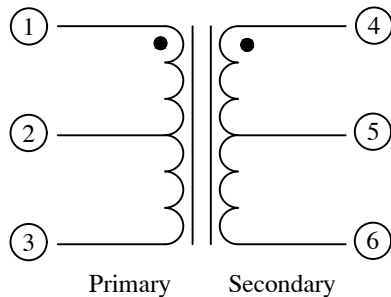
DC Resistance +/-20%


Power: 0.460 Watts Max.



Part #	Description	Impedance Ω		DC Resistance Ω	
		Pri	Sec	Pri	Sec
SPT-500	Output	48 C.T.	8 C.T.	2.5	0.5
SPT-501	Output	120 C.T.	8 C.T.	7.0	0.7
SPT-502	Output	200 C.T.	8 C.T.	12.0	0.5
SPT-503	Output	500 C.T.	8 C.T.	18.0	0.7
SPT-504	Interstage	500 C.T.	500 C.T.	35	28
SPT-505	Driver	10K C.T.	2K C.T.	600	155
SPT-506	Output	1.2K C.T.	8 C.T.	75	0.8
SPT-507	Coupling	600 C.T.	600 C.T.	65	55

All dimensions are reference unless otherwise specified.
Primary side of coil is designated by the letter P





CUSTOM ENGINEERING MAGNETIC COMPONENTS
Johnsburg, Illinois
3521 N. Chapel Hill Rd. / McHenry, Illinois 60051

SCALE: None	APPROVED BY: <i>Tj Klotz</i>	DRAWN BY Tjk
DATE: 02-26-16		REVISED
Mechanical / Electrical Drawing for Part SPT-500 through -507		
(Economy Audio Transformer - 0.460W Max.)		DRAWING NUMBER SPT-500 (Size 4)