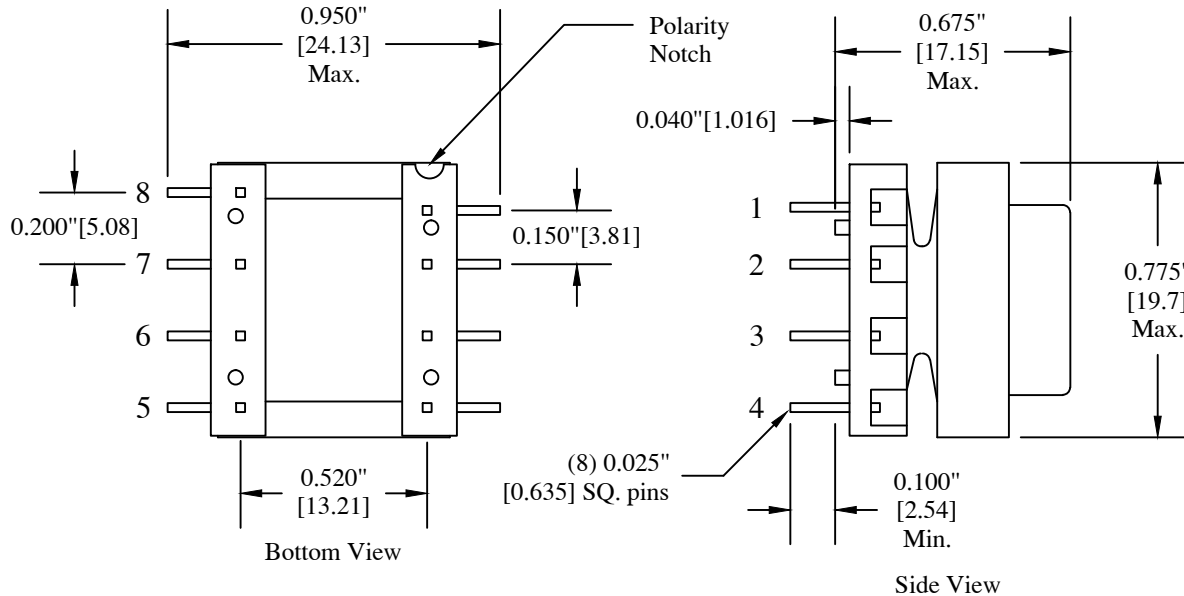


- VOICE & DATA APPLICATIONS.
- DESIGNED FOR DRY (NO DC) CIRCUITS.
- IMPEDANCE RATIOS OF 600 Ω : 600 Ω .
- MINIMAL USE OF PC BOARD AREA (<1.0" [25.4] SQUARE).
- UL RECOGNIZED COMPONENT - UL 1863, FILE E138250.
- ALTERNATE HIGHER PERFORMANCE PART SPT-131.

| REVISIONS | | | |
|------------|-----|---|--------|
| DATE | REV | DESCRIPTION | APPV'D |
| 10-04-93 | -1 | Chg'd THD Spec. was specified in % distort. | TJK |
| 03-29-2016 | -2 | Updated entire drawing; added millimeters | TJK |
| | | | |
| | | | |
| | | | |
| | | | |

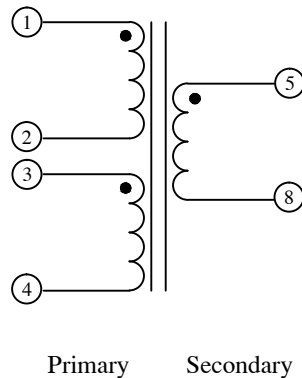


Electrical Parameters

Primary Impedance: 600 Ohms
 Secondary Impedance: 600 Ohms
 Max DC Unbalance: 0
 Turns Ratio: 1:1 ±2%
 Dielectric Strength: 1500Vrms P-S-C
 Frequency Response: ±0.55dB 300 -3.5KHz (1KHz Ref.)
 Return Loss: 12.5dB Min. @ 300Hz
 Insertion Loss : (Ref. @ 1KHz) 1.15 dB
 Primary D.C.R. : 24.5 Ω ±10%
 Secondary D.C.R. : 31.0 Ω ±10%
 THD: 0dBm @ 300Hz Input, -53dB Typ.
 Longitudinal Balance: 60 dB min. Per IEEE
 Use 600 Ω Load for Transmission Tests

All dimensions are reference unless otherwise specified.

Reflected Z = 550 Ohms Typical @ 1KHZ,
0mA D.C. on the Primary & 600 Ohms RL/Secondary



| | | | |
|---|-----------------|--|-------------------------------|
| | | CUSTOM ENGINEERING MAGNETIC COMPONENTS Johnsburg, Illinois 3521 N. Chapel Hill Rd. / McHenry, Illinois 60051 | |
| SCALE: None | APPROVED BY: | | DRAWN BY Tjk |
| DATE: 03-29-2016 | <i>Tj Klotz</i> | | REVISED |
| Mechanical / Electrical Drawing for Part SPT-197 | | | |
| (Voice/Data Transformer) | | | DRAWING NUMBER B-SPT-197-2 |