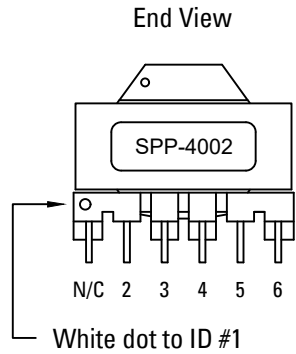
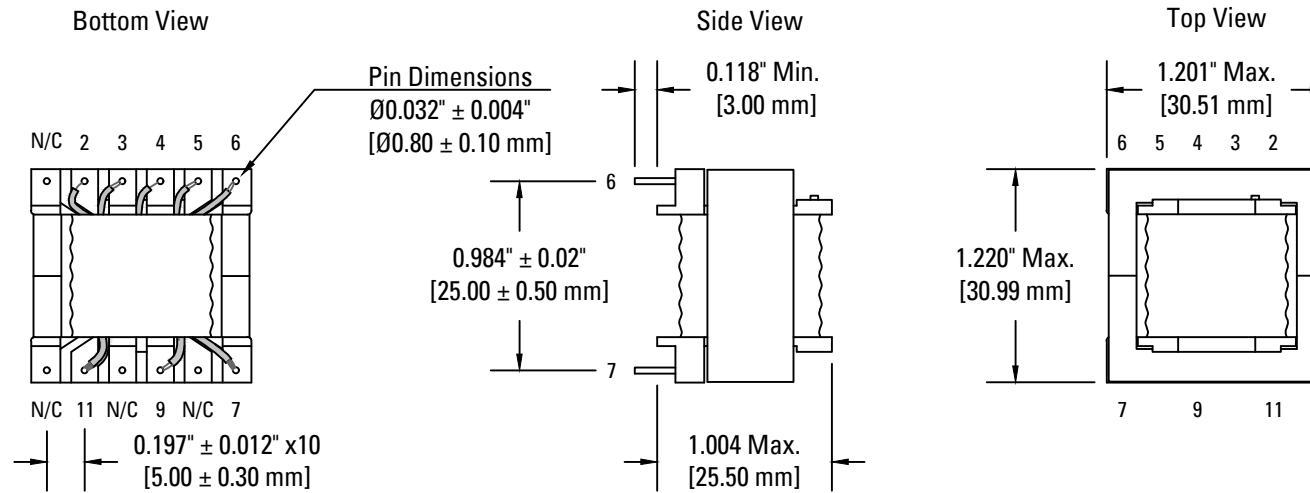


SPP-4002
Data Sheet

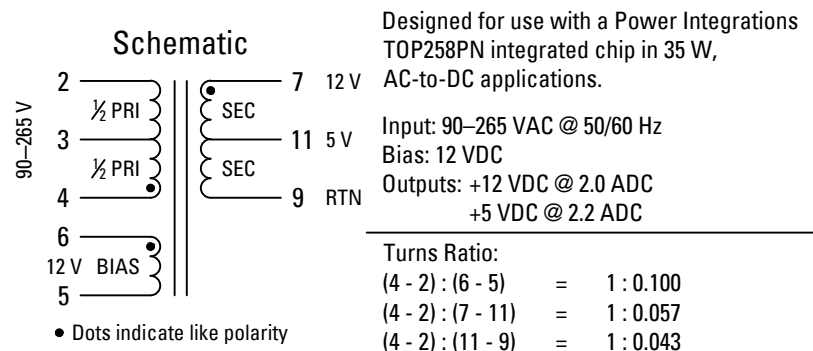


Prem's **SPP-4002** is a switchmode, through-hole PCB-mounting transformer. It is designed to be used with a Power Integrations TOP258PN (*TOPSwitchHX* family) integrated chip in a 35 W AC-to-DC flyback for an LCD monitor power supply application.

- Designed with greater than 3.0mm creepage per IEC950, EN60950, UL1950/CSA950, Class II reinforced insulation (250V)
- Designed for EN55022 and CISPR-22 Class B for EMC noise performance
- Meets Energy Star requirements of greater than 81% efficiency
- UL 94V-0-rated bobbin
- RoHS compliant



All dimensions for reference only, unless otherwise specified.



ELECTRICAL SPECIFICATIONS	
Primary DCR (4 - 2)	0.650 Ω Maximum
Bias DCR (6 - 5)	0.024 Ω Maximum
Secondary DCR (7 - 9)	0.018 Ω Maximum
Primary Inductance (4 - 2) @ 0.4 V _{RMS} , 100 kHz	1.040 mH $\pm 10\%$
Leakage Inductance (4 - 2) @ 0.4 V _{RMS} , 100 kHz, with (6 - 5) & (7 - 9) shorted	20 μ H Maximum
Resonant Frequency (4 - 2), with other windings open	1 MHz Minimum
Dielectric Strength (Primary to Secondary)	3000 V _{RMS} (1 sec.)

12/13/19 | -3 | Updated data sheet format; updated pin dia. dim.; added bias voltage; updated Power Integrations P/N | AG

12/9/10 | -2 | Changed DCR of bias & secondary | GG

12/3/15 | -1 | Corrected metric dimensions, were 31mm & 0.8mm | TJK

DATE | ISS. | REVISION | BY

Designed by: GG 6/30/09
 Drawn by: AG 12/12/19
 Checked by: DB & TJK
 Drawing rev.: SPP-4002-3

PREM
MAGNETICS, INC.

3521 N Chapel Hill Rd
 Johnsburg, IL 60051
www.premmagnetics.com