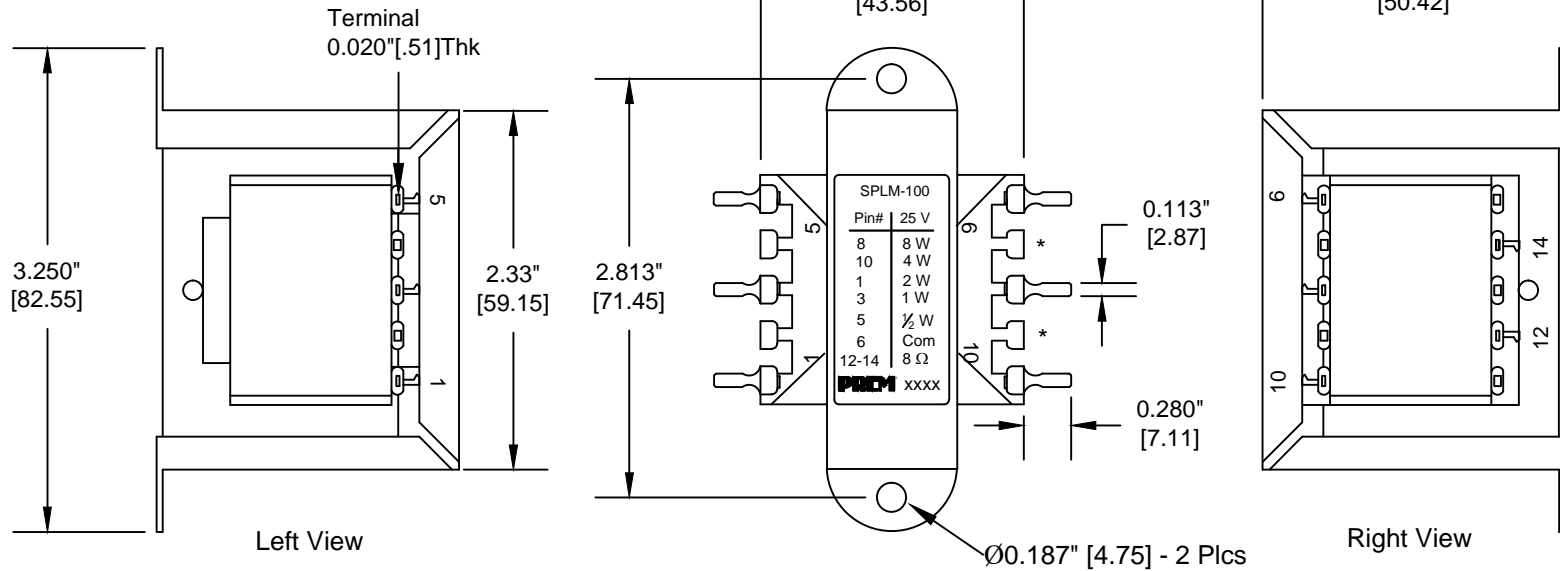


- CHASSIS MOUNT 25V LINE MATCHING AUDIO OUTPUT TRANSFORMER FOR COMMERCIAL DISTRIBUTED SOUND SYSTEMS.
- DEVELOPED FOR 25V LINE TO 8 OHM SPEAKER APPLICATIONS AT FIVE POWER LEVELS: 8, 4, 2, 1, 0.5 WATTS.

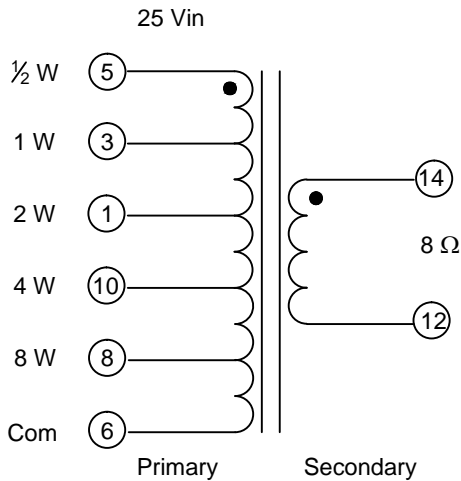
- COMMONLY USED IN SCHOOLS AND OTHER APPLICATIONS REQUIRING A LOW DISTRIBUTED LINE VOLTAGE AND EXCELLENT PERFORMANCE.
- CHANNEL FRAME BRACKET FOR EASE OF MOUNTING, 2 Ø0.187" DIA. HOLES.
- 0.113" SOLDER TABS FOR CONNECTING INPUTS AND OUTPUT.

All dimensions are reference unless otherwise specified. [mm]= millimeters



Connections are Identified by raised numbers on bobbin.

\* (Terminals 12 and 14 not shown)



● Dot indicates like polarity

Electrical Parameters

Primary Taps : 25V @ 8W - 4W - 2W - 1W - ½ W  
 Secondary Impedance: 8 Ohms  
 Frequency Response: ± 2.0dB 50Hz - 15KHz (1KHz Ref.)  
 Insertion Loss : 1.0dB @ 1KHz  
 THD: 1.25% Typ. @ 100Hz., at Rated Pwr  
 Dielectric Strength: 1500Vrms P-S-C  
 Max Power : 8.0 Watts  
 Weight: 14.5 oz (411g)

-1	Add Dims. in [millimeters], Wght. in grams. Remove term to term, & add flange to flange Dim. Change term lngth Dim., Correct polarity of Terms 12 and 14. Add note * (Terminals 12 and 14 not shown) for Top View.	10-20-15
----	--	----------

**PREM**<sup>®</sup> CUSTOM ENGINEERING MAGNETIC COMPONENTS  
 MAGNETICS INCORPORATED  
 Johnsburg, Illinois  
 3521 N. Chapel Hill Rd. / McHenry, Illinois 60051

SCALE: None	APPROVED BY: <i>Gary Garcia</i>	DRAWN BY G.G.
DATE: 03-11-09		REVISED

Mechanical / Electrical Drawing for Part SPLM-100

25V Line Matching Audio Output Transformer	DRAWING NUMBER A-SPLM-100
--	------------------------------