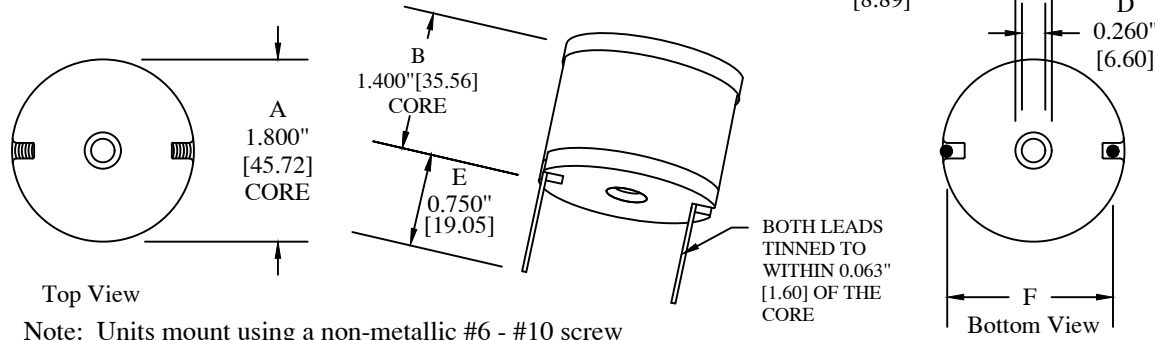


- DRUM CORE POWER INDUCTORS RATED BETWEEN 2.1A - 15AD.C. FOR SWITCHMODE POWER SUPPLIES AND OTHER APPLICATIONS.
- INDUCTANCE RANGE FROM 200 $\mu$  - 18000 $\mu$ H.
- LEADS TINNED TO WITHIN 0.063"[1.6mm] OF THE CORE.



Note: Units mount using a non-metallic #6 - #10 screw

ELECTRICAL PARAMETERS				F DIM.	
PREM P/N	MAX. DCR	INDUCTANCE	DC AMPS	LEAD SIZE	(CTR - CTR)
SPB-600	0.031 $\Omega$	200 $\mu$ H	15	13 Gauge	1.35"[34.29]
SPB-601	0.042 $\Omega$	330 $\mu$ H	15	13 Gauge	1.53"[38.86]
SPB-602	0.062 $\Omega$	470 $\mu$ H	13.5	14 Gauge	1.53"[38.86]
SPB-603	0.068 $\Omega$	560 $\mu$ H	10.5	14 Gauge	1.53"[38.86]
SPB-604	0.091 $\Omega$	680 $\mu$ H	9.5	15 Gauge	1.48"[37.59]
SPB-605	0.101 $\Omega$	820 $\mu$ H	8.5	15 Gauge	1.53"[38.86]
SPB-606	0.134 $\Omega$	1000 $\mu$ H	8.5	16 Gauge	1.43"[36.32]
SPB-607	0.150 $\Omega$	1200 $\mu$ H	7.0	16 Gauge	1.43"[36.32]
SPB-608	0.209 $\Omega$	1500 $\mu$ H	7.0	17 Gauge	1.43"[36.32]
SPB-609	0.230 $\Omega$	1800 $\mu$ H	6.0	17 Gauge	1.43"[36.32]
SPB-610	0.260 $\Omega$	2200 $\mu$ H	5.5	17 Gauge	1.48"[37.59]
SPB-611	0.350 $\Omega$	2700 $\mu$ H	5.5	18 Gauge	1.43"[36.32]
SPB-612	0.398 $\Omega$	3300 $\mu$ H	4.3	18 Gauge	1.43"[36.32]
SPB-613	0.433 $\Omega$	3900 $\mu$ H	4.3	18 Gauge	1.43"[36.32]
SPB-614	0.572 $\Omega$	4700 $\mu$ H	4.3	19 Gauge	1.43"[36.32]
SPB-615	0.631 $\Omega$	5600 $\mu$ H	3.4	19 Gauge	1.43"[36.32]
SPB-616	0.854 $\Omega$	6800 $\mu$ H	3.4	20 Gauge	1.43"[36.32]
SPB-617	0.959 $\Omega$	8200 $\mu$ H	2.7	20 Gauge	1.43"[36.32]
SPB-618	1.082 $\Omega$	10000 $\mu$ H	2.7	20 Gauge	1.43"[36.32]
SPB-619	1.447 $\Omega$	12000 $\mu$ H	2.7	21 Gauge	1.43"[36.32]
SPB-620	1.652 $\Omega$	15000 $\mu$ H	2.1	21 Gauge	1.43"[36.32]
SPB-621	2.277 $\Omega$	18000 $\mu$ H	2.1	22 Gauge	1.35"[34.29]

Mech - Elect SPB-600  
THROUGH SPB-621

Notes

ALL DIMENSIONS  
FOR REFERENCE  
ONLY

[ ] = millimeters

**PREM**

MAGNETICS INCORPORATED  
3521 N. CHAPEL HILL RD.  
JOHNSBURG, IL 60051

Mech - Elect PREM  
PART # SPB-600  
THROUGH SPB-621

Approved: TJK

Scale: NONE

Date: 10/31/2003

07/22/2011	-1	Added metric dimensions	Tjk
DATE	ISS	REVISION	CHECKED