

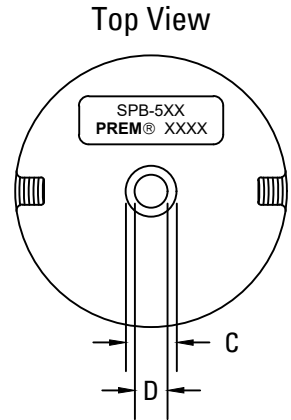
Prem's **SPB-500 Series** is a set of drum core power inductors suitable for switchmode power supplies and other applications.

• Inductances range from 180 μH @ 15.0 ADC to 22 mH @ 1.35 ADC

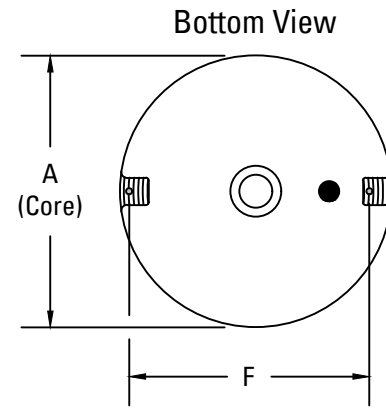
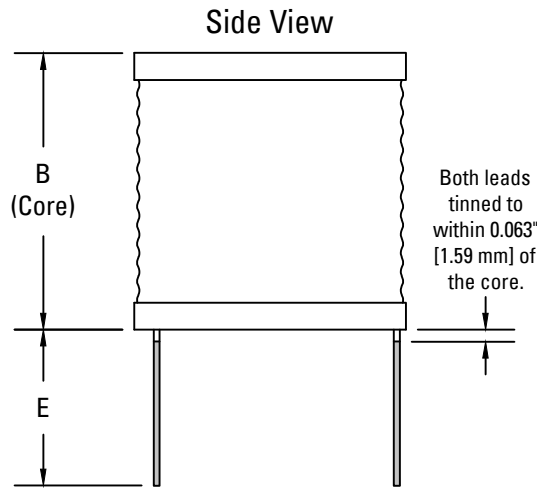
• Leads tinned to within 0.063" [1.59 mm] of the core

**SPB-500 Series
Data Sheet**

DIMENSIONS



See sidebar for dimensions
A - E, and table below for F.



Note: Units mount using a non-metallic #6 screw.

DIMENSIONS	
A	1.415" [35.94 mm]
B	1.440" [36.58 mm]
C	0.265" [6.73 mm]
D	0.170" [4.32 mm]
E	0.750" \pm 0.063" [19.05 \pm 1.59 mm]
F	See MECHANICAL SPECIFICATIONS .

All dimensions for reference only, unless otherwise specified.

12/14/18 | -2 | Updated data sheet fmt.; chg'd DCR to nom.; added dim. table | AG

6/5/17 | -1 | Added millimeters | TJK

DATE | ISS. | REVISION | BY

Designed by: TJK 11/21/03
 Drawn by: AG 12/13/18
 Checked by: DB & TJK
 Drawing rev.: SPB-500-2



3521 N Chapel Hill Rd
 Johnsburg, IL 60051
www.premmagnetics.com

ELECTRICAL SPECIFICATIONS

MECHANICAL SPECIFICATIONS

PREM P/N	NOMINAL DCR	DC CURRENT RATING	NOM. INDUCTANCE AT RATED I	LEAD SIZE	DIMENSION F (LEAD TO LEAD)
SPB-500	0.022 Ω	15.0 ADC	180 μH	13 AWG	1.26" [32.00 mm]
SPB-501	0.029 Ω	13.5 ADC	220 μH	14 AWG	1.26" [32.00 mm]
SPB-502	0.033 Ω	12.5 ADC	270 μH	14 AWG	1.26" [32.00 mm]
SPB-503	0.046 Ω	10.5 ADC	330 μH	15 AWG	1.20" [30.48 mm]
SPB-504	0.051 Ω	10.5 ADC	390 μH	15 AWG	1.20" [30.48 mm]
SPB-505	0.056 Ω	10.0 ADC	470 μH	15 AWG	1.17" [29.72 mm]
SPB-506	0.075 Ω	8.5 ADC	560 μH	16 AWG	1.14" [28.96 mm]
SPB-507	0.085 Ω	8.5 ADC	680 μH	16 AWG	1.20" [30.48 mm]
SPB-508	0.094 Ω	7.0 ADC	820 μH	16 AWG	1.26" [32.00 mm]
SPB-509	0.130 Ω	6.5 ADC	1.00 mH	17 AWG	1.17" [29.72 mm]
SPB-510	0.144 Ω	5.5 ADC	1.20 mH	17 AWG	1.17" [29.72 mm]
SPB-511	0.198 Ω	5.5 ADC	1.50 mH	18 AWG	1.14" [28.96 mm]
SPB-512	0.218 Ω	4.8 ADC	1.80 mH	18 AWG	1.14" [28.96 mm]
SPB-513	0.246 Ω	4.3 ADC	2.20 mH	18 AWG	1.14" [28.96 mm]
SPB-514	0.338 Ω	4.0 ADC	2.70 mH	19 AWG	1.14" [28.96 mm]
SPB-515	0.386 Ω	3.4 ADC	3.30 mH	19 AWG	1.14" [28.96 mm]
SPB-516	0.428 Ω	3.0 ADC	3.90 mH	19 AWG	1.17" [29.72 mm]
SPB-517	0.560 Ω	3.0 ADC	4.70 mH	20 AWG	1.14" [28.96 mm]
SPB-518	0.620 Ω	2.7 ADC	5.60 mH	20 AWG	1.14" [28.96 mm]
SPB-519	0.702 Ω	2.5 ADC	6.80 mH	20 AWG	1.17" [29.72 mm]
SPB-520	0.943 Ω	2.1 ADC	8.20 mH	21 AWG	1.14" [28.96 mm]
SPB-521	1.074 Ω	2.0 ADC	10.00 mH	21 AWG	1.14" [28.96 mm]
SPB-522	1.443 Ω	1.8 ADC	12.00 mH	22 AWG	1.14" [28.96 mm]
SPB-523	1.656 Ω	1.6 ADC	15.00 mH	22 AWG	1.14" [28.96 mm]
SPB-524	2.223 Ω	1.5 ADC	18.00 mH	23 AWG	1.14" [28.96 mm]
SPB-525	2.504 Ω	1.35 ADC	22.00 mH	23 AWG	1.14" [28.96 mm]