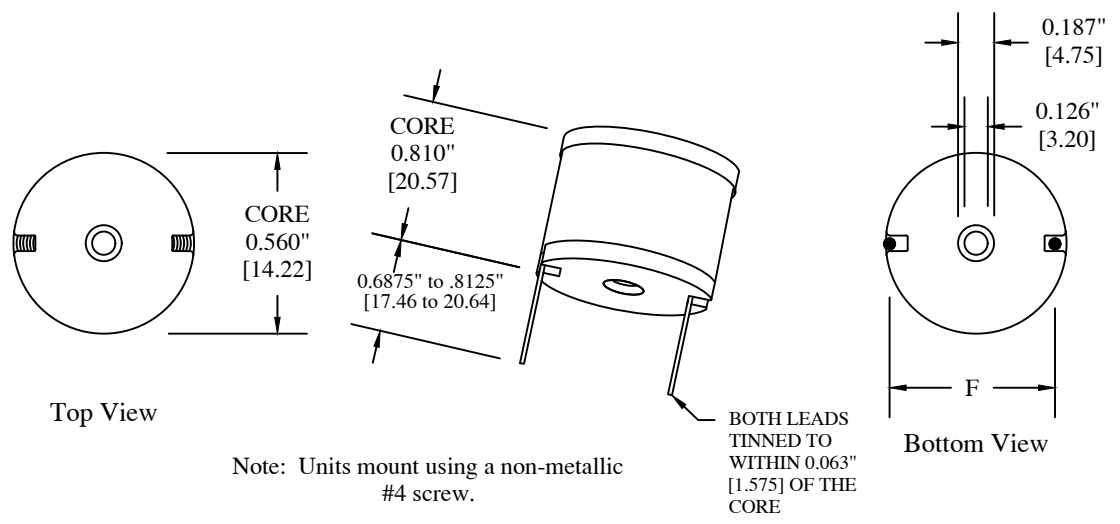


SPB-100 through SPB-118-1

- DRUM CORE POWER INDUCTORS RATED BETWEEN 1.07A - 12AD.C. FOR SWITCHMODE POWER SUPPLIES AND OTHER APPLICATIONS.
- INDUCTANCE RANGE FROM 2 μ - 800 μ H.
- LEADS TINNED TO WITHIN 0.063"[1.6mm] OF THE CORE.



Notes

ALL DIMENSIONS FOR REFERENCE ONLY

[] = mm

-1 added mm 11/2010 Tjk

PREM
MAGNETICS INCORPORATED
3521 N. CHAPEL HILL RD.
JOHNSBURG, IL 60051

PREM
PART # SPB 100
THROUGH SPB 118

Approved: TJK
Scale: NONE
Date: 09/07/2005

ELECTRICAL PARAMETERS					F DIM. (CTR - CTR)
PREM P/N	MAX. DCR	INDUCTANCE	DC AMPS	LEAD SIZE	
SPB-100	0.005 Ω	2.0 μ H	12	14 Gauge	0.510" [12.95]
SPB-101	0.007 Ω	3.0 μ H	10	15 Gauge	0.510" [12.95]
SPB-102	0.010 Ω	4.0 μ H	8.5	16 Gauge	0.510" [12.95]
SPB-103	0.012 Ω	8.0 μ H	7.0	17 Gauge	0.510" [12.95]
SPB-104	0.015 Ω	18 μ H	7.0	17 Gauge	0.510" [12.95]
SPB-105	0.018 Ω	22 μ H	5.5	18 Gauge	0.510" [12.95]
SPB-106	0.024 Ω	30 μ H	4.3	19 Gauge	0.510" [12.95]
SPB-107	0.037 Ω	37 μ H	3.4	20 Gauge	0.510" [12.95]
SPB-108	0.054 Ω	50 μ H	2.6	20 Gauge	0.560" [14.22]
SPB-109	0.068 Ω	80 μ H	2.6	20 Gauge	0.560" [14.22]
SPB-110	0.092 Ω	100 μ H	2.1	20 Gauge	0.560" [14.22]
SPB-111	0.107 Ω	135 μ H	2.1	20 Gauge	0.560" [14.22]
SPB-112	0.145 Ω	160 μ H	1.7	20 Gauge	0.560" [14.22]
SPB-113	0.177 Ω	220 μ H	1.7	20 Gauge	0.560" [14.22]
SPB-114	0.210 Ω	300 μ H	1.7	20 Gauge	0.560" [14.22]
SPB-115	0.290 Ω	380 μ H	1.35	20 Gauge	0.560" [14.22]
SPB-116	0.329 Ω	450 μ H	1.35	20 Gauge	0.560" [14.22]
SPB-117	0.467 Ω	600 μ H	1.07	20 Gauge	0.560" [14.22]
SPB-118	0.541 Ω	800 μ H	1.07	20 Gauge	0.560" [14.22]