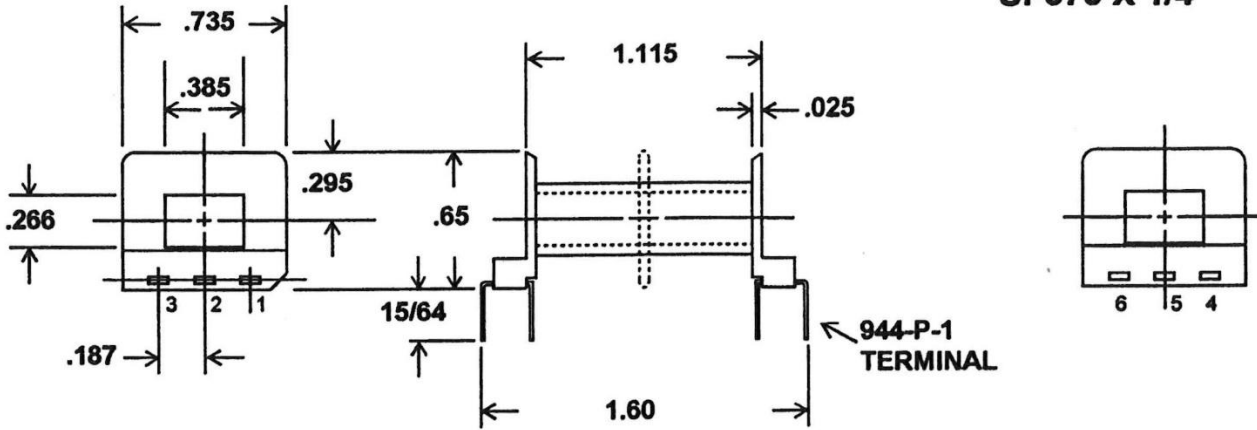


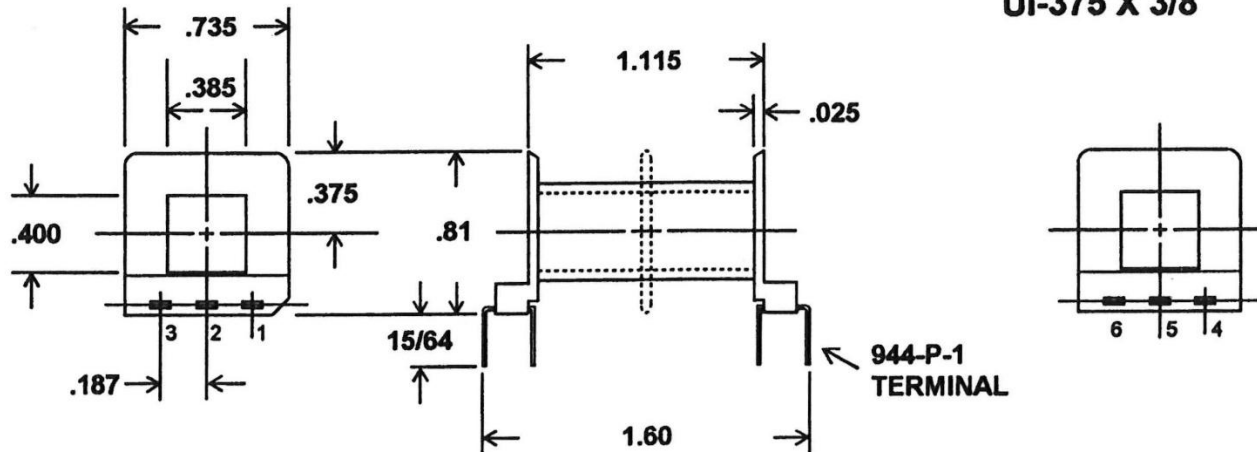
3521 North Chapel Hill Road • Johnsburg, Illinois 60051 USA

**UI-375 X 1/4**



PART NO. WITH 6 TERM.	2 FLANGE	3 FLANGE	STAND OFFS
0604-6U	YES		NO
0604-36U		50/50	NO
0604-34U	( 4 TERMINALS)	50/50	NO

**UI-375 X 3/8**

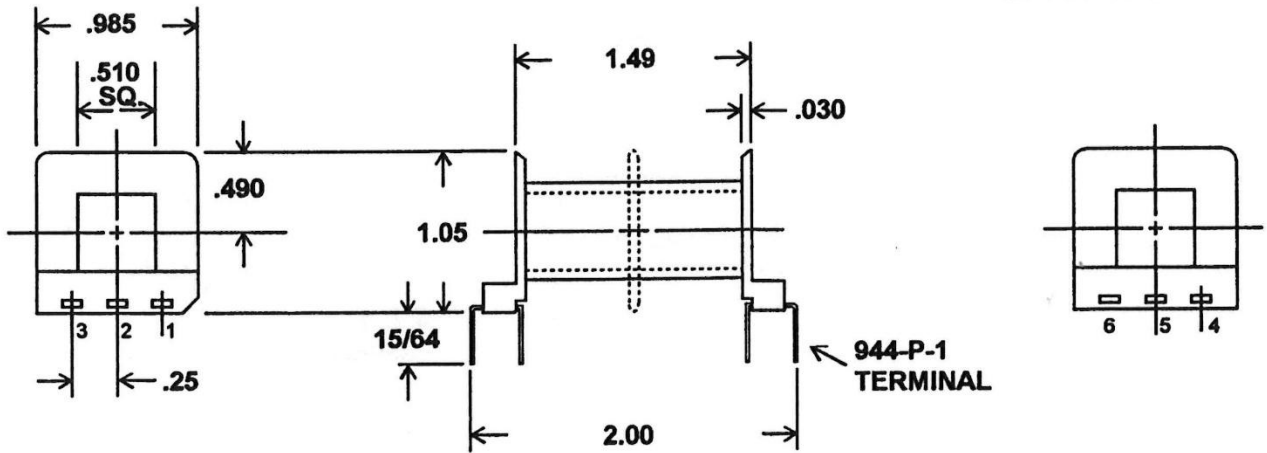


PART NO. WITH 6 TERM.	2 FLANGE	3 FLANGE	STAND OFFS
0606-6U	YES		NO
0606-36U		50/50	NO
0606-34U	( 4 TERMINALS)	50/50	NO

U  
I  
3  
7  
5

3521 North Chapel Hill Road • Johnsburg, Illinois 60051 USA

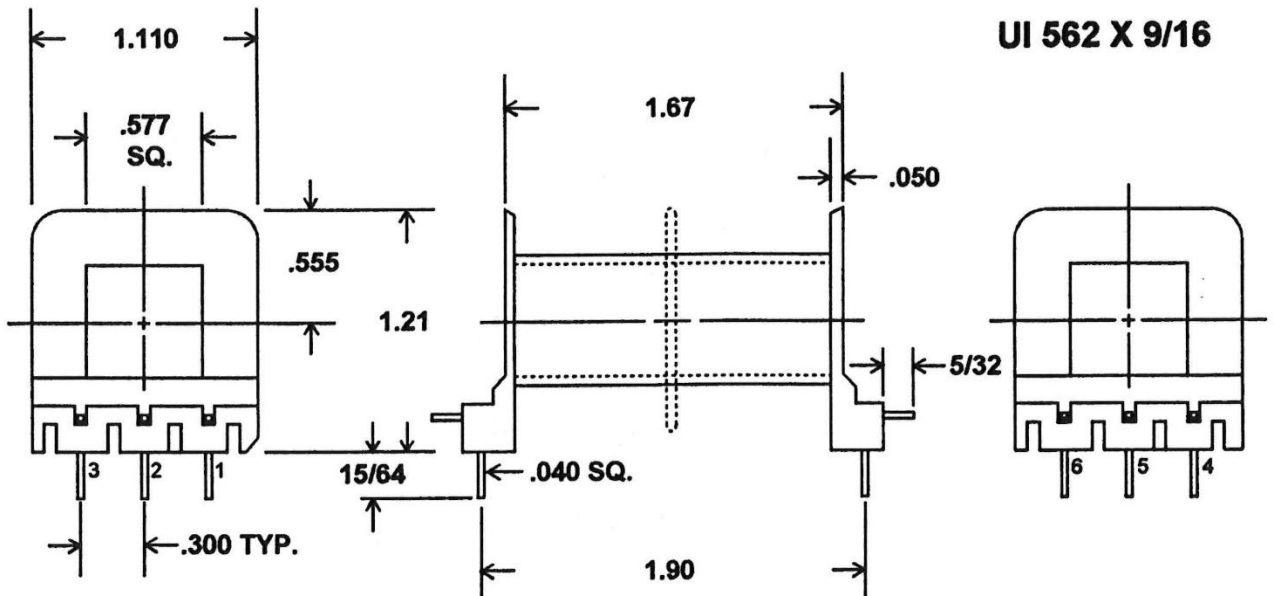
**UI 500 X 1/2**



U  
I  
5  
0  
0  
/  
5  
6  
2

PART NO. WITH 6 TERM.	2 FLANGE	3 FLANGE	STAND OFFS
0808-6U	YES		NO
0808-36U		52/48	NO
0808-34U ( 4 TERMINALS)		52/48	NO

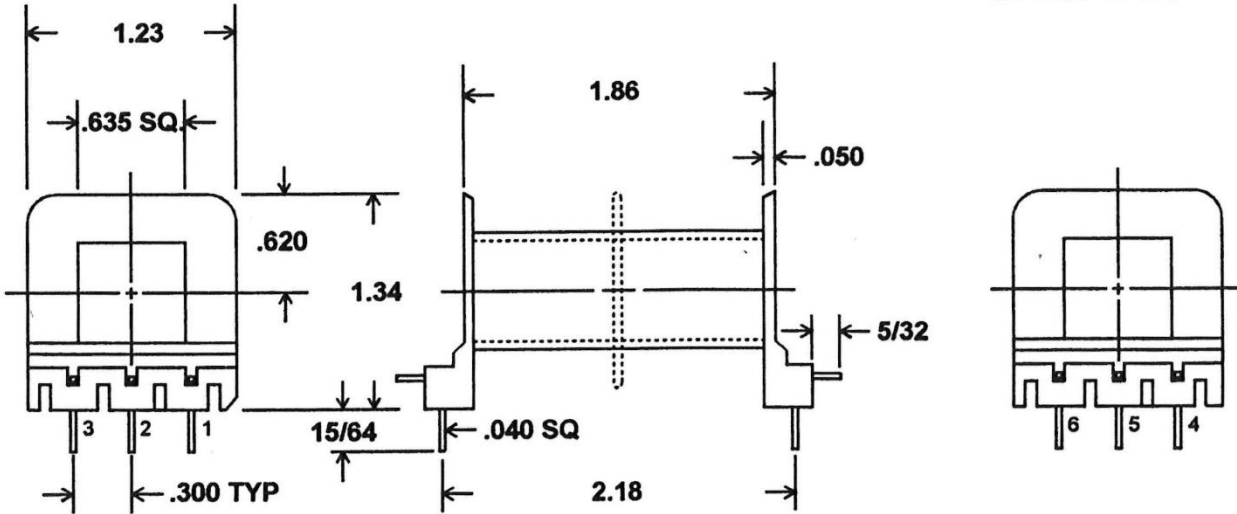
**UI 562 X 9/16**



PART NO. WITH 6 PINS	2 FLANGE	3 FLANGE	STAND OFFS
0909-6U	YES		NO
0909-36U		50/50	NO

3521 North Chapel Hill Road • Johnsburg, Illinois 60051 USA

**UI-625 X 5/8**



PART NO. WITH 6 PINS	2 FLANGE	3 FLANGE	STAND OFFS
1010-6U	YES		NO
1010-36U		50/50	NO

U  
I  
6  
2  
5