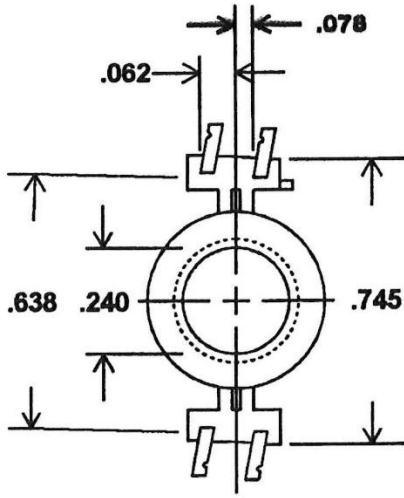
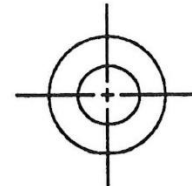
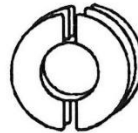
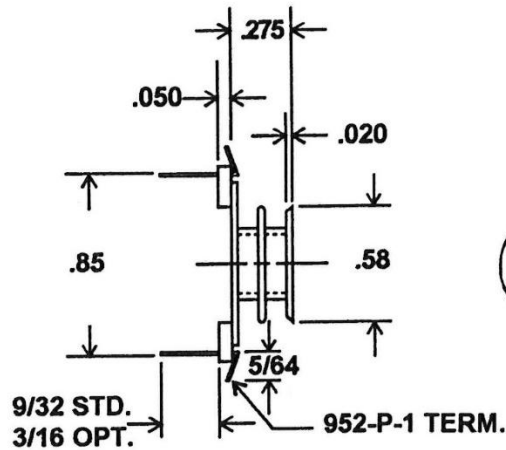
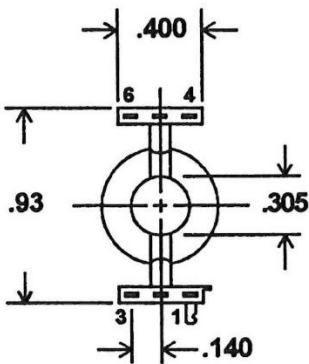
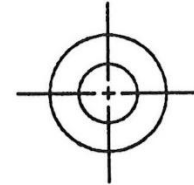
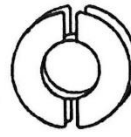
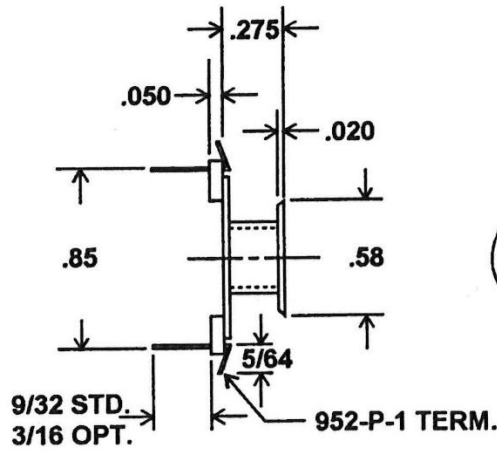
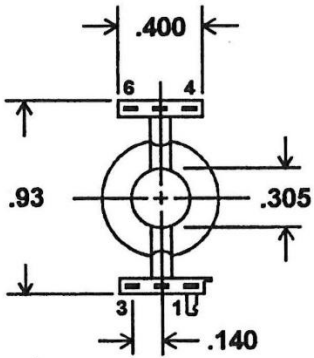
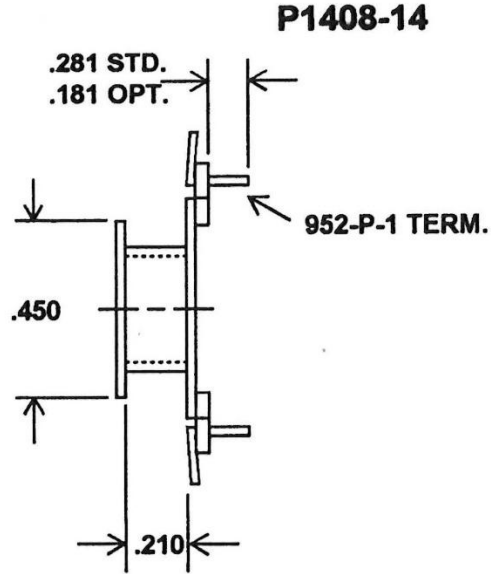


3521 North Chapel Hill Road • Johnsburg, Illinois 60051 USA

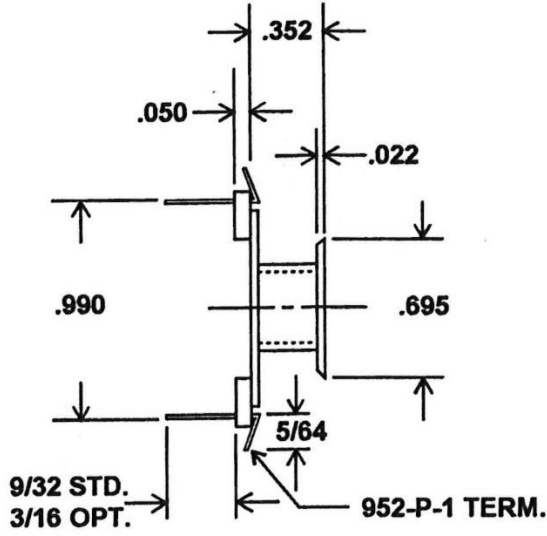
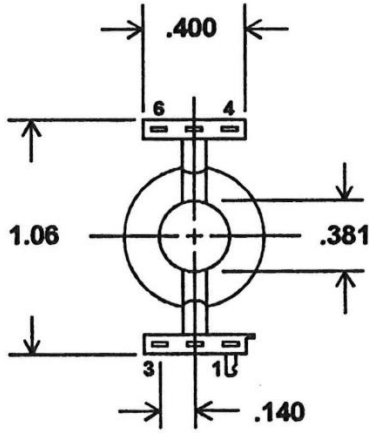


**ENLARGED
 TO SHOW
 DETAIL**

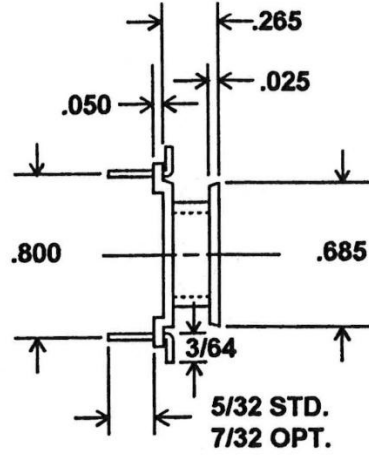
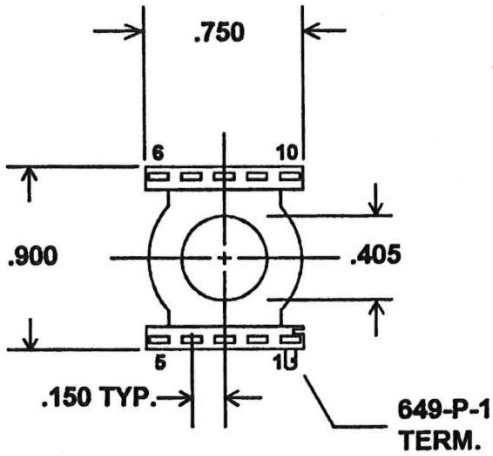
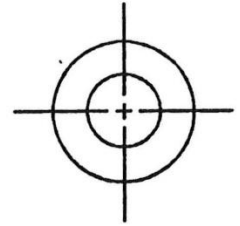


POLYMER

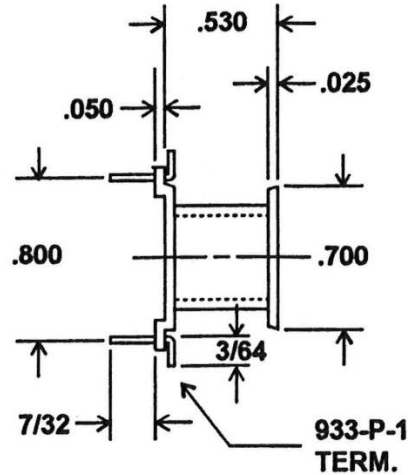
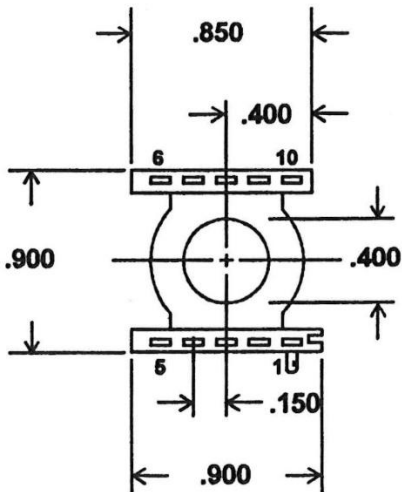
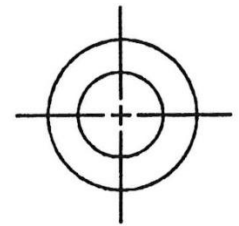
P
O
T
T
O
R
S



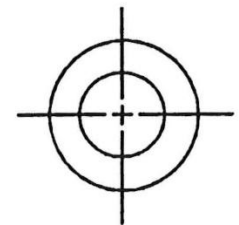
P2213-16



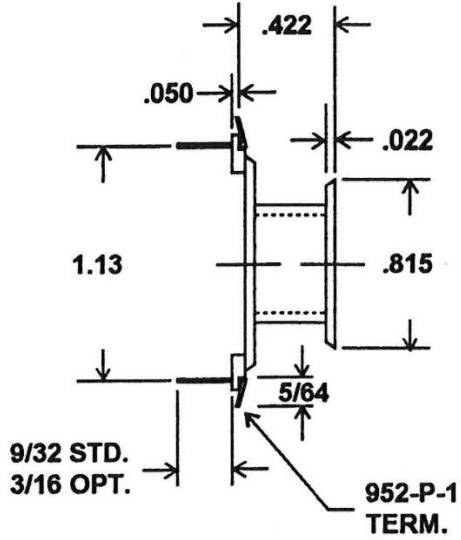
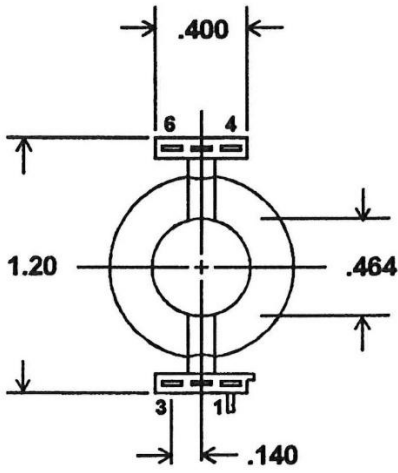
P2311-110



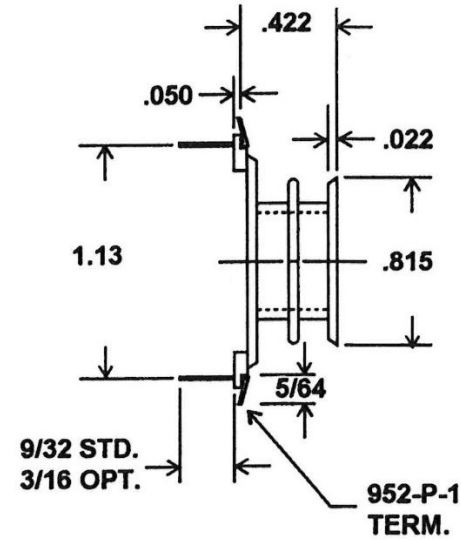
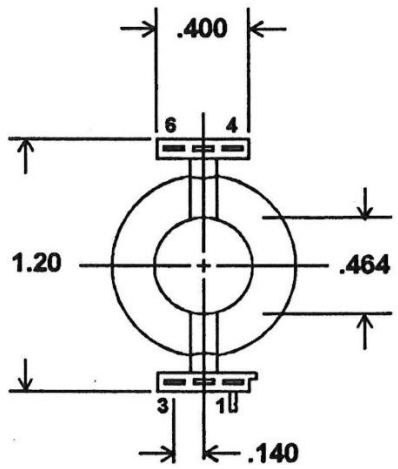
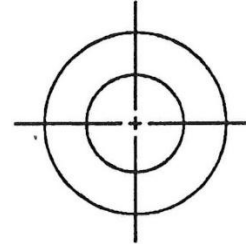
P2318-110



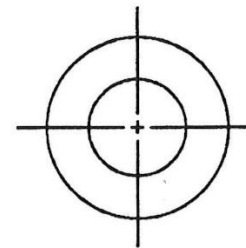
3521 North Chapel Hill Road • Johnsburg, Illinois 60051 USA



P2616-16

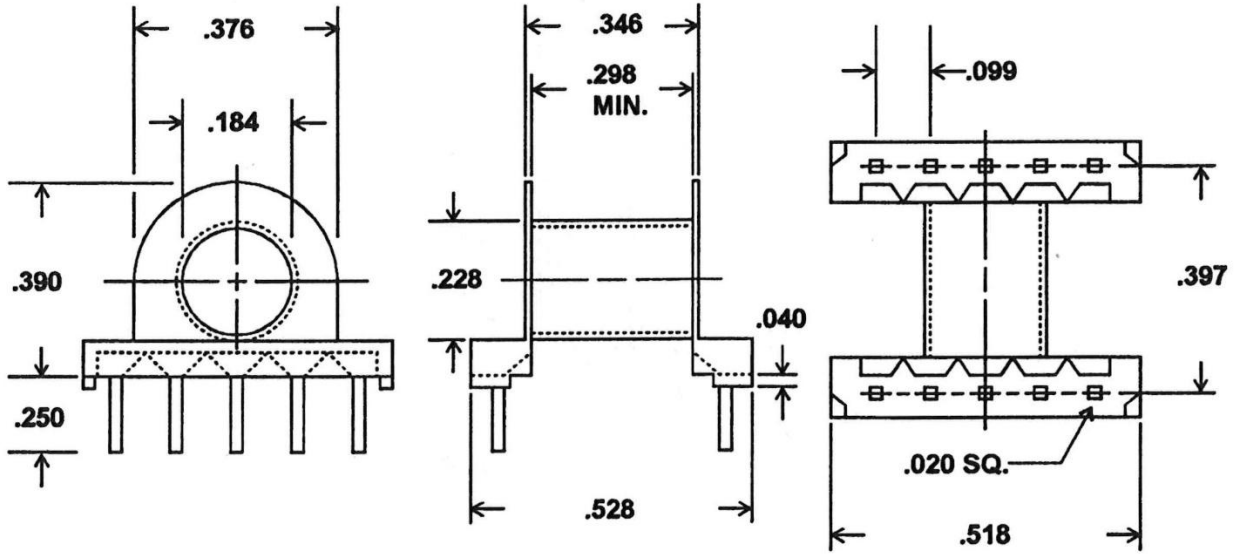


P2616-26

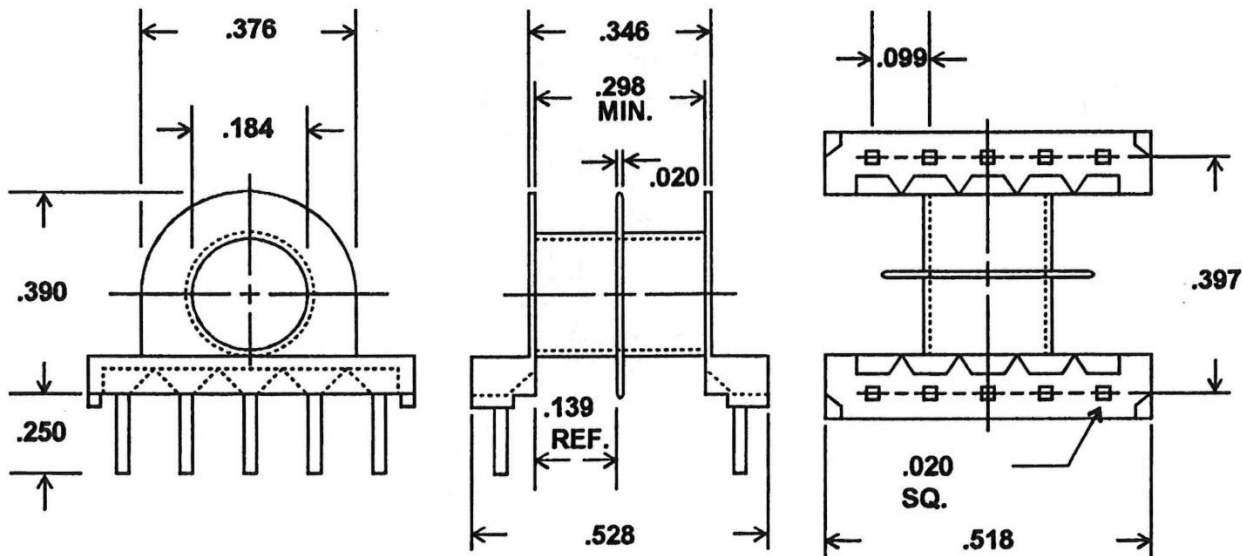


P
O
T
C
O
R
E
S

EP13-110

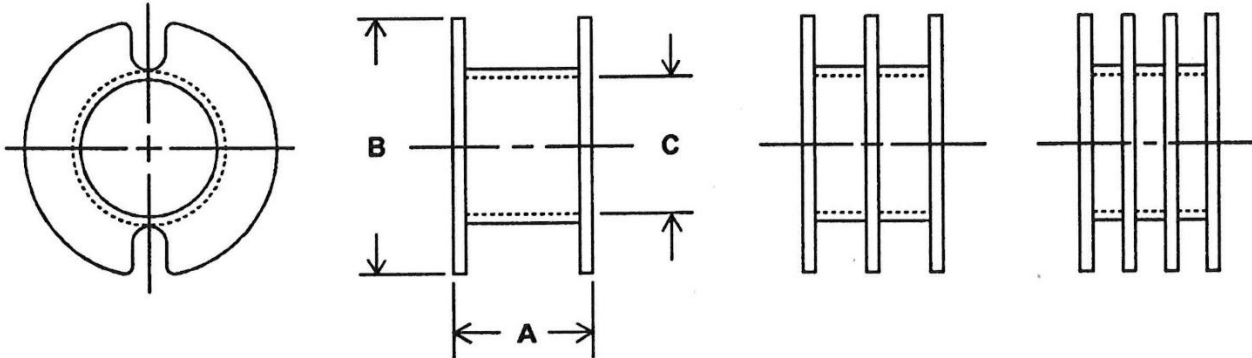


EP13-210



PHOTO

3521 North Chapel Hill Road • Johnsburg, Illinois 60051 USA



PART NUMBER	SIZE (MM)	CORE DIA. C	FLANGE DIA. B	LENGTH A	SECTIONS
P0905-1	9 X 5	.160	.290	.137	1
P1107-1	11 X 7	.194	.350	.168	1
P1107-2	11 X 7	.194	.350	.168	2
P1408-1	14 X 8	.242	.450	.216	1
P1408-2	14 X 8	.243	.450	.213	2
P1408-3	14 X 8	.242	.450	.214	3
P1811-1	18 X 11	.305	.579	.278	1
P1811-2	18 X 11	.305	.578	.275	2
P1811-3	18 X 11	.305	.578	.278	3
P1814-3	18 X 14	.299	.548	.394	3
P2213-1	22 X 13	.374	.699	.358	1
P2213-2	22 X 13	.377	.697	.355	2
P2213-3	22 X 13	.378	.700	.355	3
P2616-1	26 X 16	.460	.831	.425	1
P2616-2	26 X 16	.461	.831	.429	2
P2616-3	26 X 16	.458	.824	.429	3
P3019-1	30 X 19	.539	.972	.506	1
P3019-2	30 X 19	.539	.980	.508	2
P3019-3	30 X 19	.535	.980	.508	3
P3622-1	36 X 22	.649	1.142	.563	1
P3622-2	36 X 22	.649	1.142	.563	2

S E R I E S