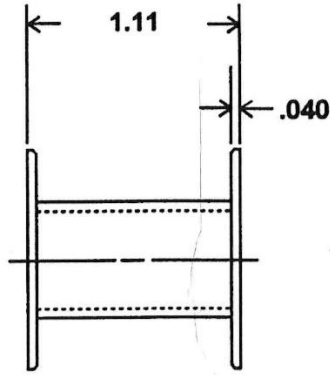
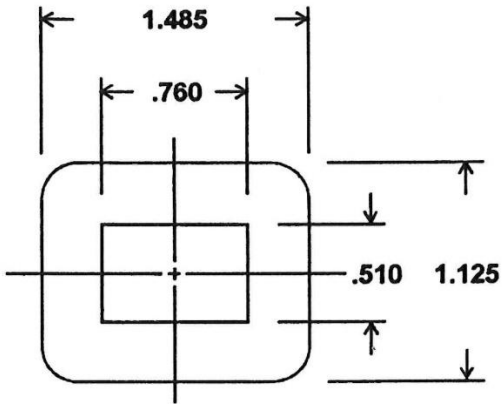
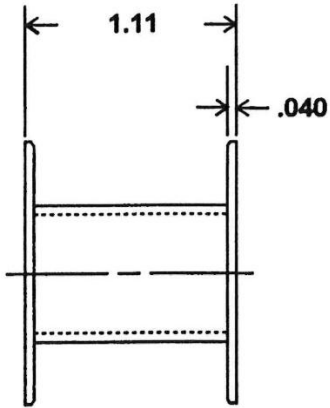
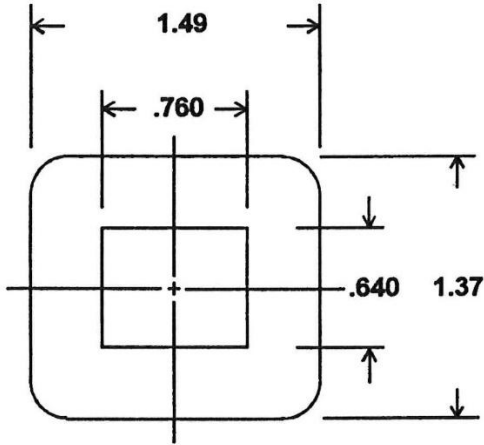
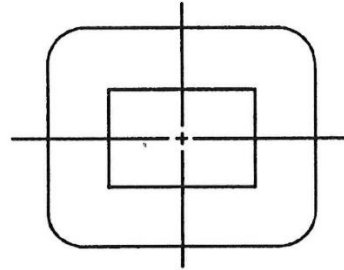


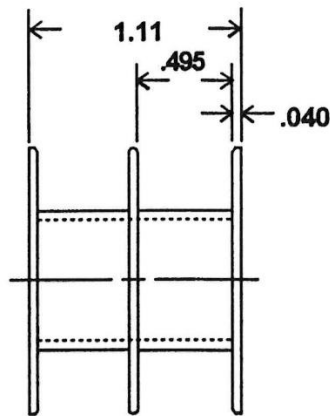
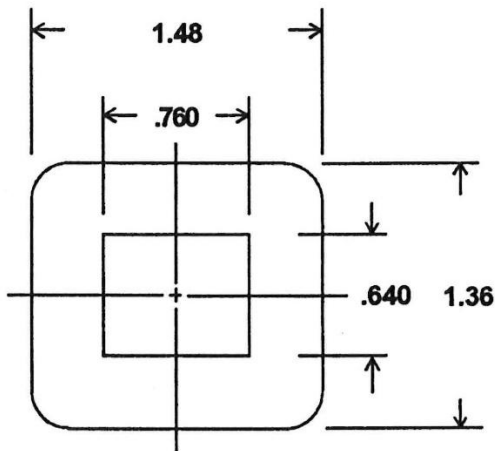
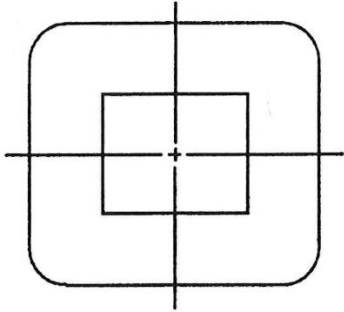
3521 North Chapel Hill Road • Johnsburg, Illinois 60051 USA



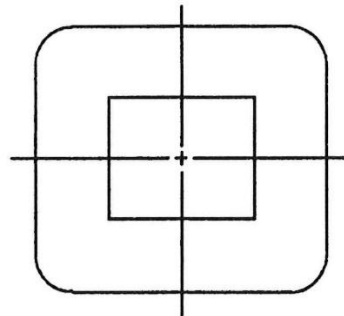
**EI 75 X 1/2  
 1208-2**



**EI 75 X 5/8  
 1210-2**



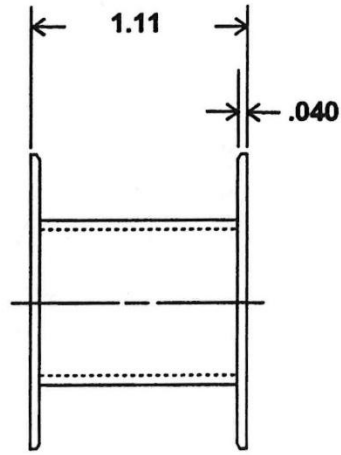
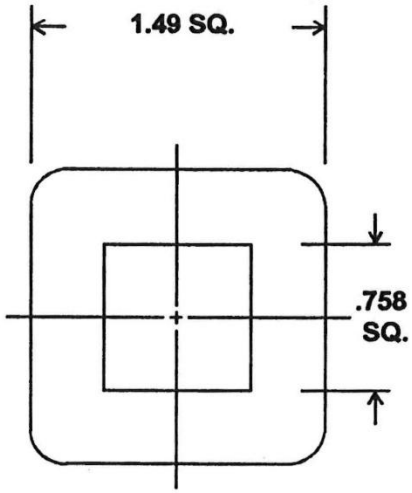
**EI 75 X 5/8  
 1210-3**



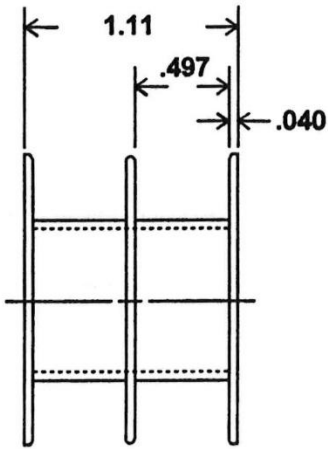
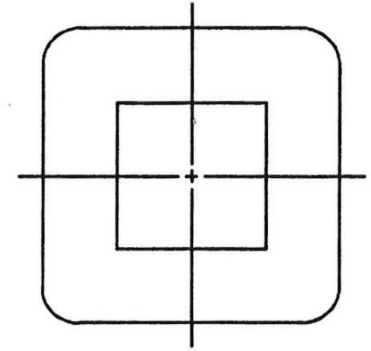
E  
 I  
 7  
 5

3521 North Chapel Hill Road • Johnsburg, Illinois 60051 USA

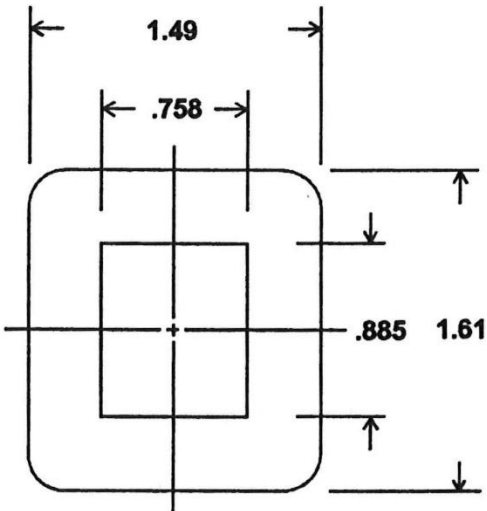
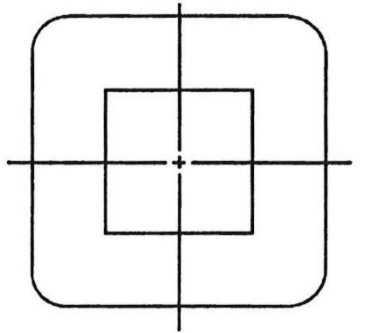
E I 75



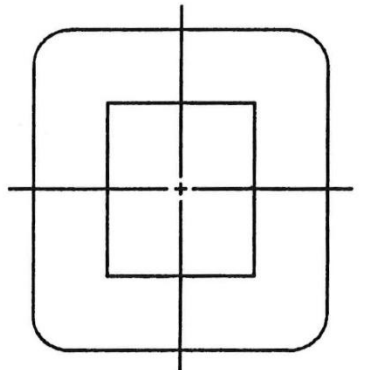
**EI 75 X 3/4**  
**1212-2**

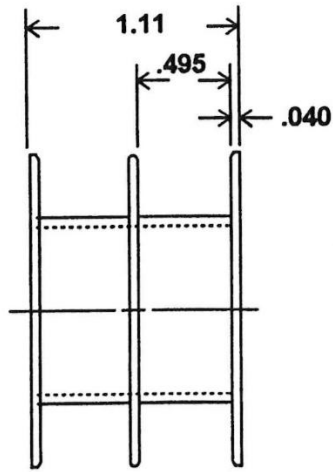
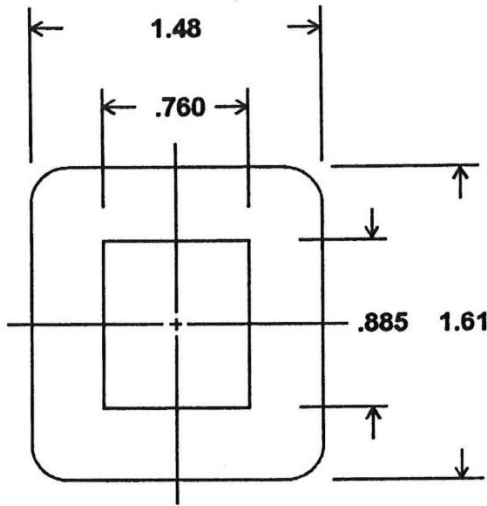


**EI 75 X 3/4**  
**1212-3**

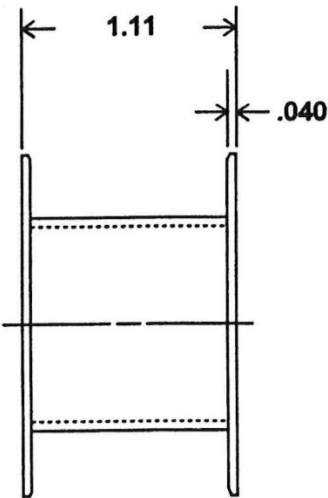
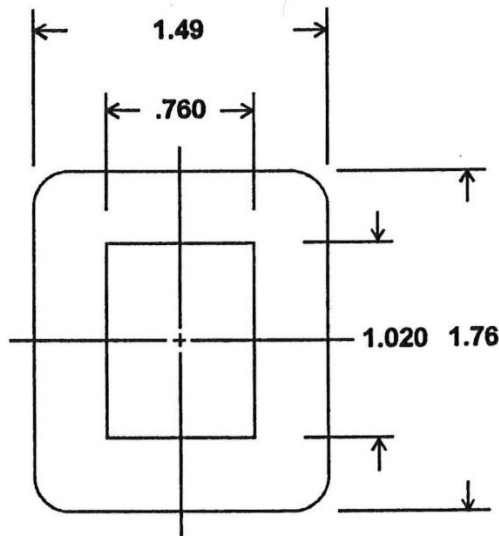
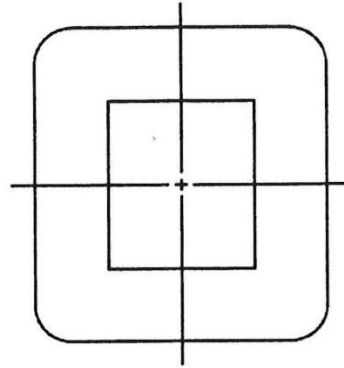


**EI 75 X 7/8**  
**1214-2**

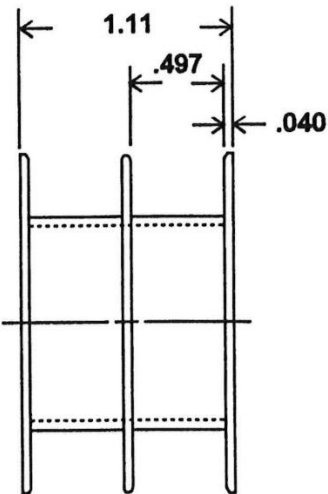
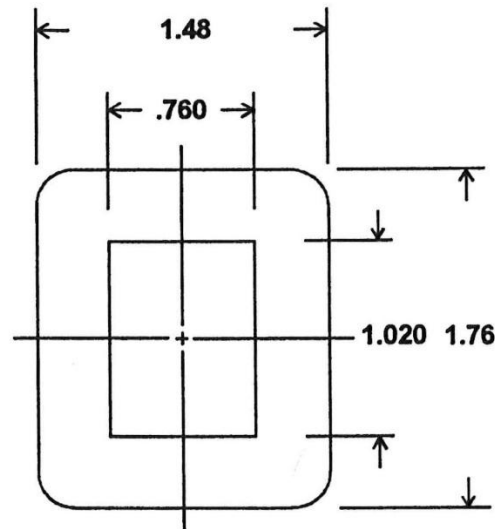
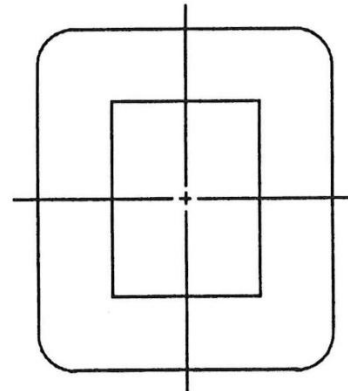




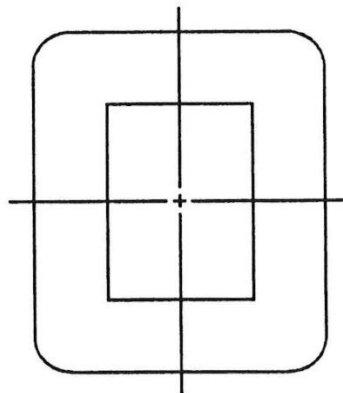
**EI 75 X 7/8  
 1214-3**



**EI 75 X 1  
 1216-2**



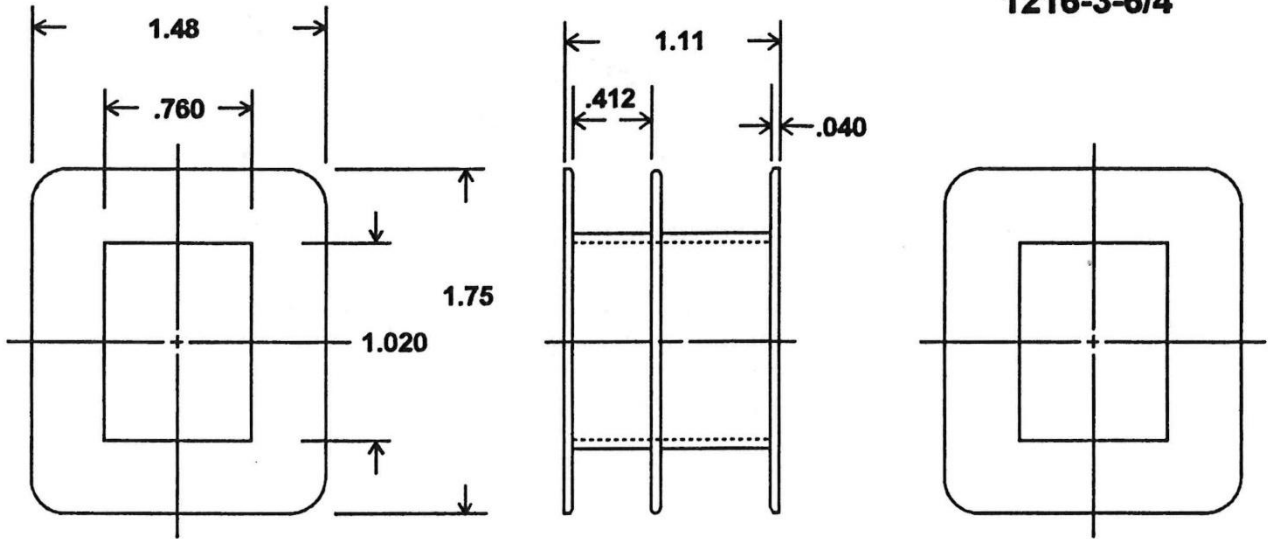
**EI 75 X 1  
 1216-3**



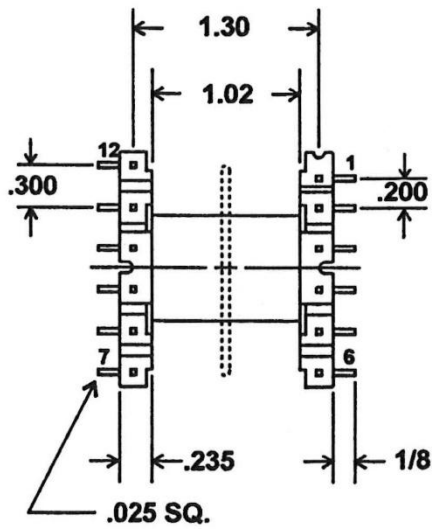
E  
 I  
 7  
 5

3521 North Chapel Hill Road • Johnsburg, Illinois 60051 USA

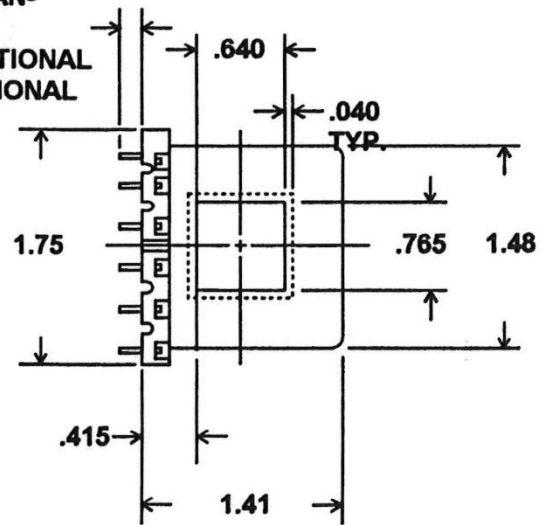
**EI 75 X 1**  
**1216-3-6/4**



**EI 75 X 5/8**



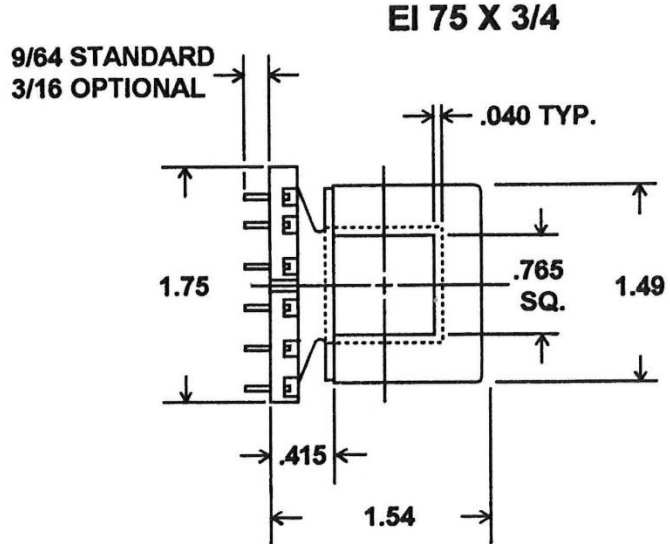
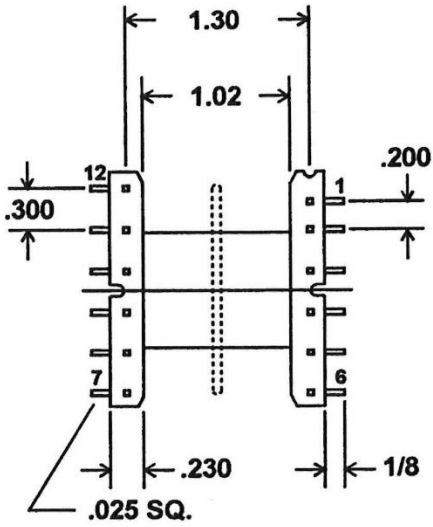
9/64 STANDARD  
 3/16 OPTIONAL  
 1/4 OPTIONAL



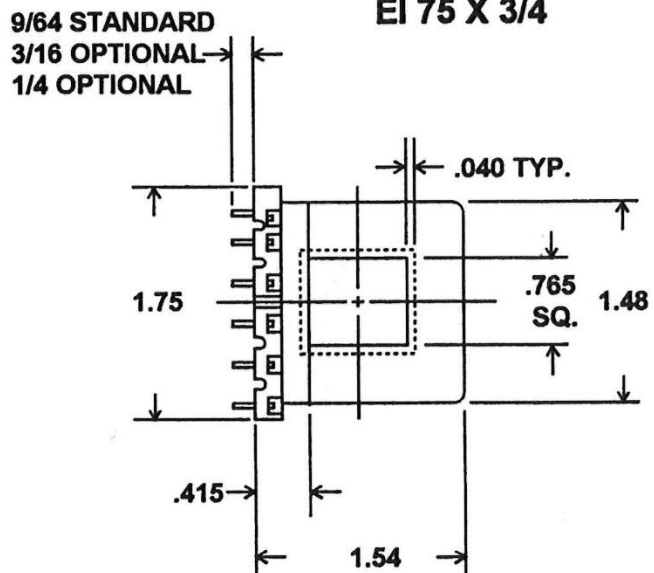
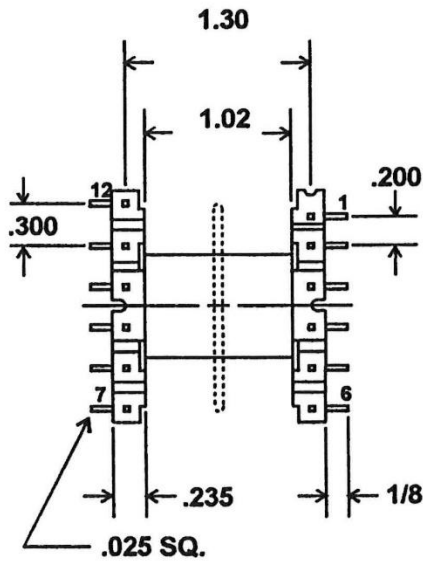
E I 7 5

PART NO. WITH 12 PINS	2 FLANGE	3 FLANGE	STAND OFFS
1210-12HS	YES		NO
1210-312HS		50/50	NO

3521 North Chapel Hill Road • Johnsburg, Illinois 60051 USA



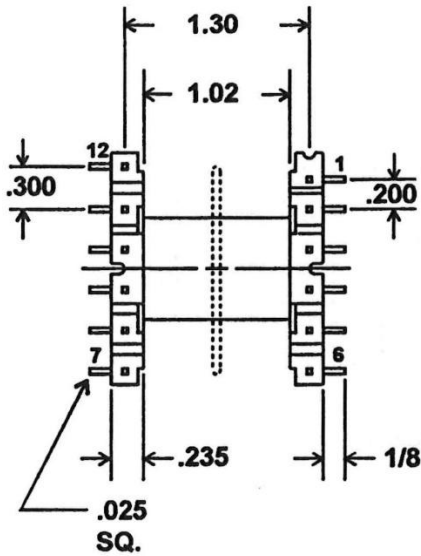
PART NO. WITH 12 PINS	2 FLANGE	3 FLANGE	STAND OFFS
1212-12H	YES		NO
1212-312H		50/50	NO



PART NO. WITH 12 PINS	2 FLANGE	3 FLANGE	STAND OFFS
1212-12HS	YES		NO
1212-312HS		50/50	NO

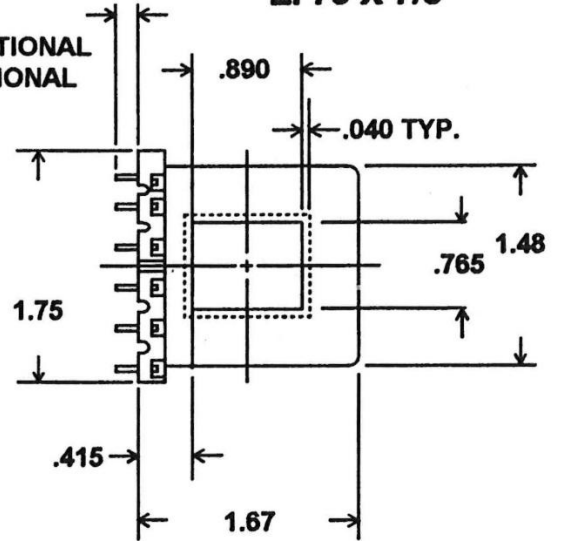
E  
I  
7  
5

3521 North Chapel Hill Road • Johnsburg, Illinois 60051 USA



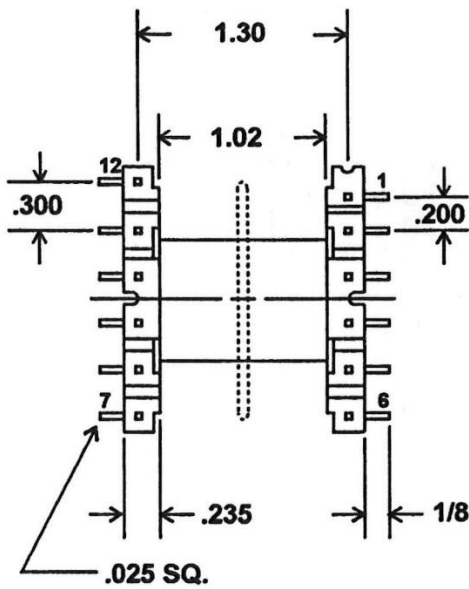
9/64 STANDARD  
 3/16 OPTIONAL  
 1/4 OPTIONAL

**EI 75 X 7/8**



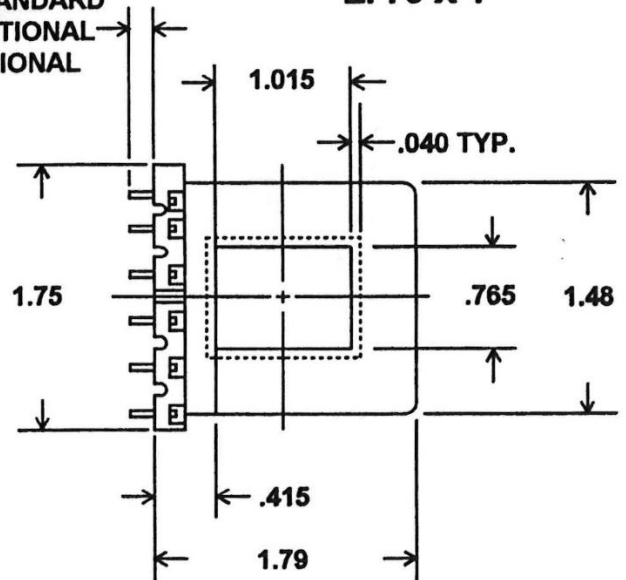
PART NO. WITH 12 PINS	2 FLANGE	3 FLANGE	STAND OFFS
1214-12HS	YES		NO
1214-312HS		50/50	NO

E I 7 5



9/64 STANDARD  
 3/16 OPTIONAL  
 1/4 OPTIONAL

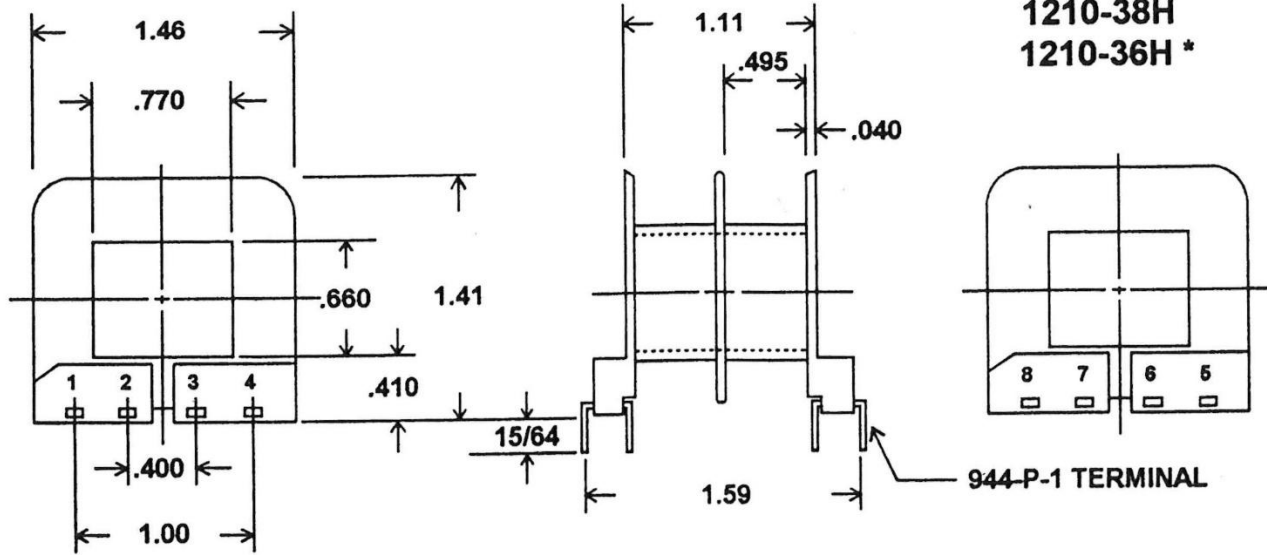
**EI 75 X 1**



PART NO. WITH 12 PINS	2 FLANGE	3 FLANGE	STAND OFFS
1216-12HS	YES		NO
1216-312HS		50/50	NO

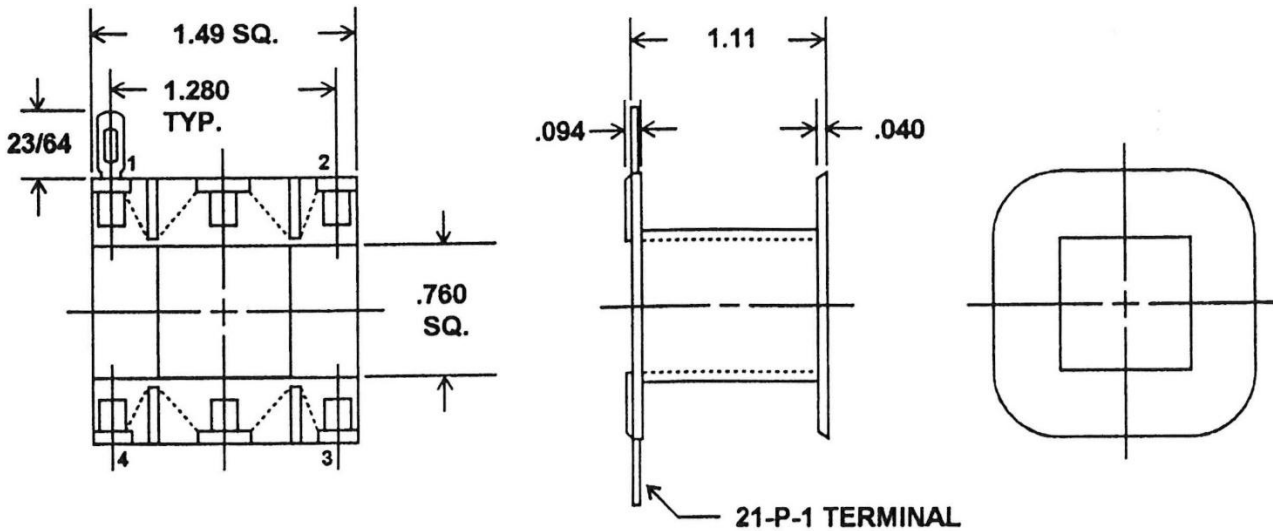
3521 North Chapel Hill Road • Johnsburg, Illinois 60051 USA

**EI 75 X 5/8**  
**1210-38H**  
**1210-36H \***



**\* SAME AS 1210-38H EXCEPT TERMINALS 2 & 3 DELETED**

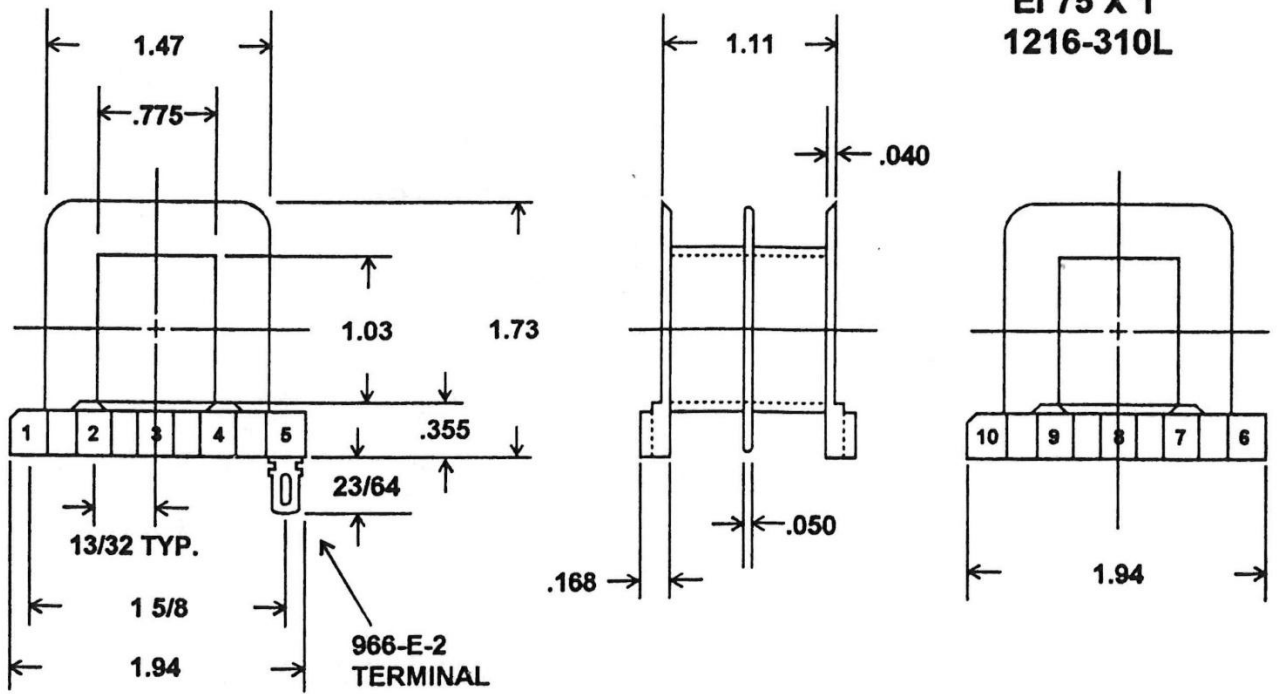
**EI 75 X 3/4**  
**1212-4L**



EI 75

3521 North Chapel Hill Road • Johnsburg, Illinois 60051 USA

**EI 75 X 1**  
**1216-310L**



**E**  
**I**  
**7**  
**5**

PART NO.	TERMINAL POSITION									
1216-310L	1	2	3	4	5	6	7	8	9	10
1216-35L		2		4		6		8		10
1216-37L	1	2		4	5	6		8		10