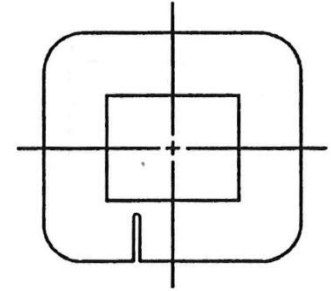
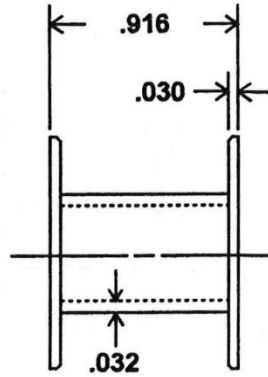
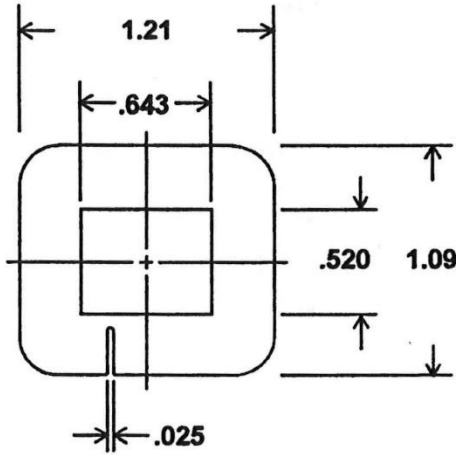
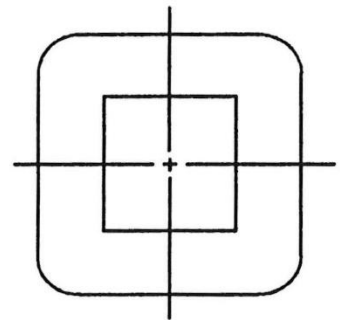
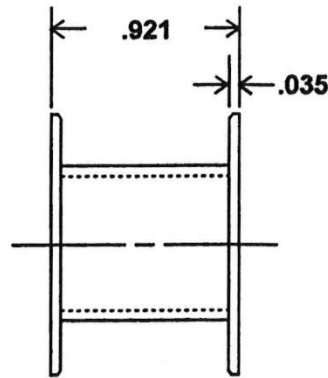
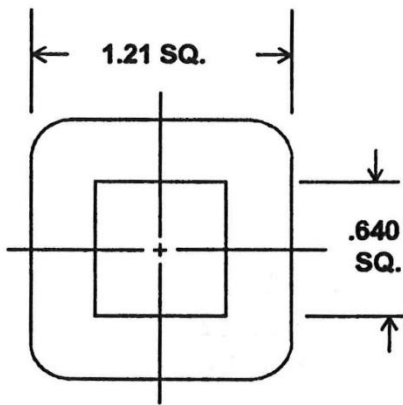


3521 North Chapel Hill Road • Johnsburg, Illinois 60051 USA

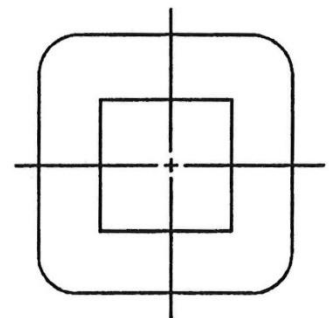
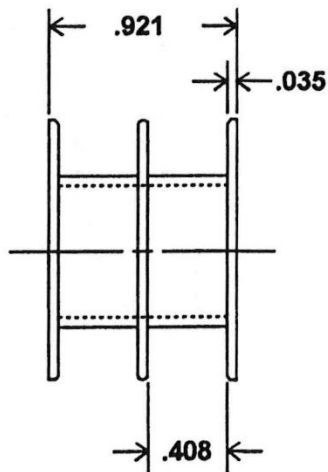
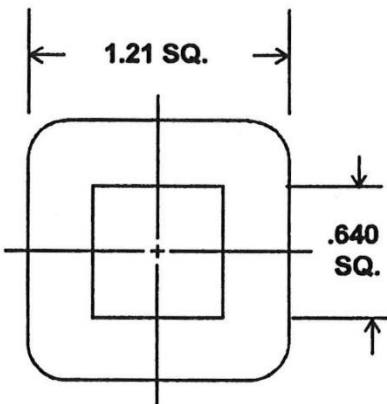
**EI 625 X 1/2
 1008-2**



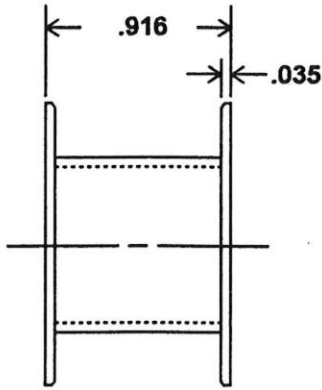
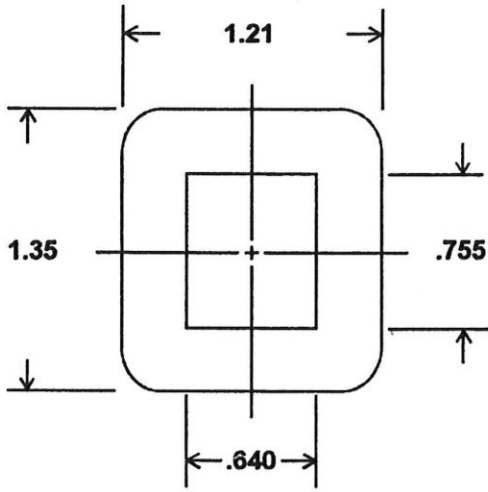
**EI 625 X 5/8
 1010-2**



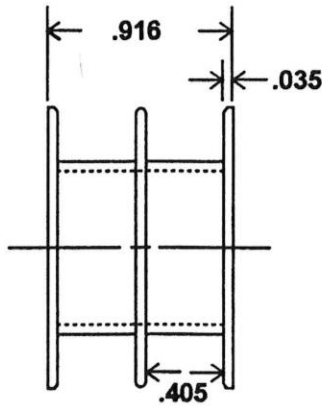
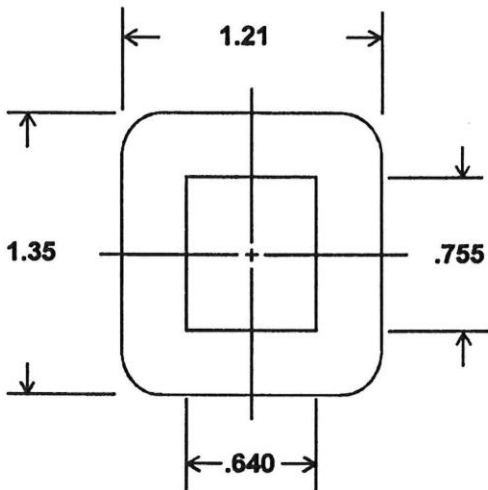
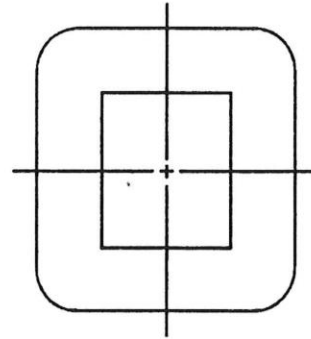
**EI 625 X 5/8
 1010-3**



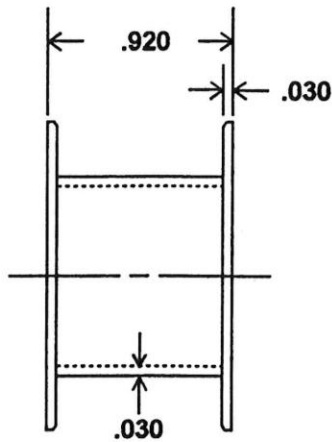
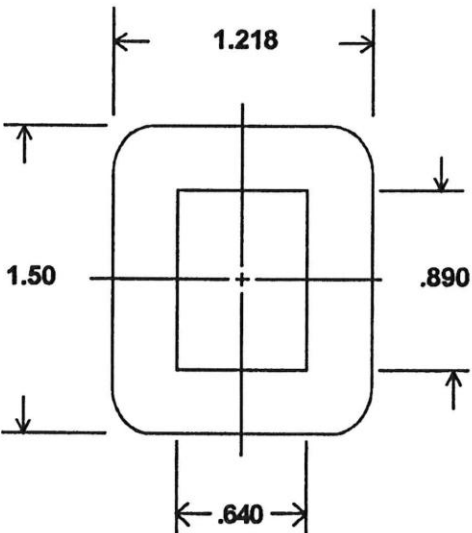
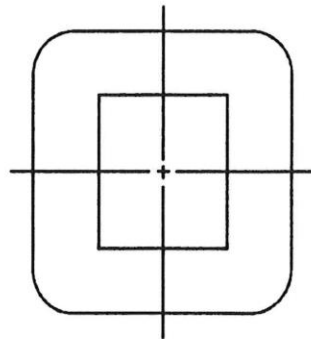
E
 I
 6
 2
 5



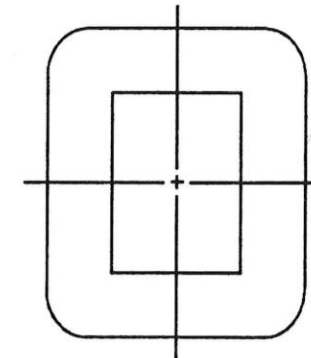
**EI 625 X 3/4
 1012-2**



**EI 625 X 3/4
 1012-3**



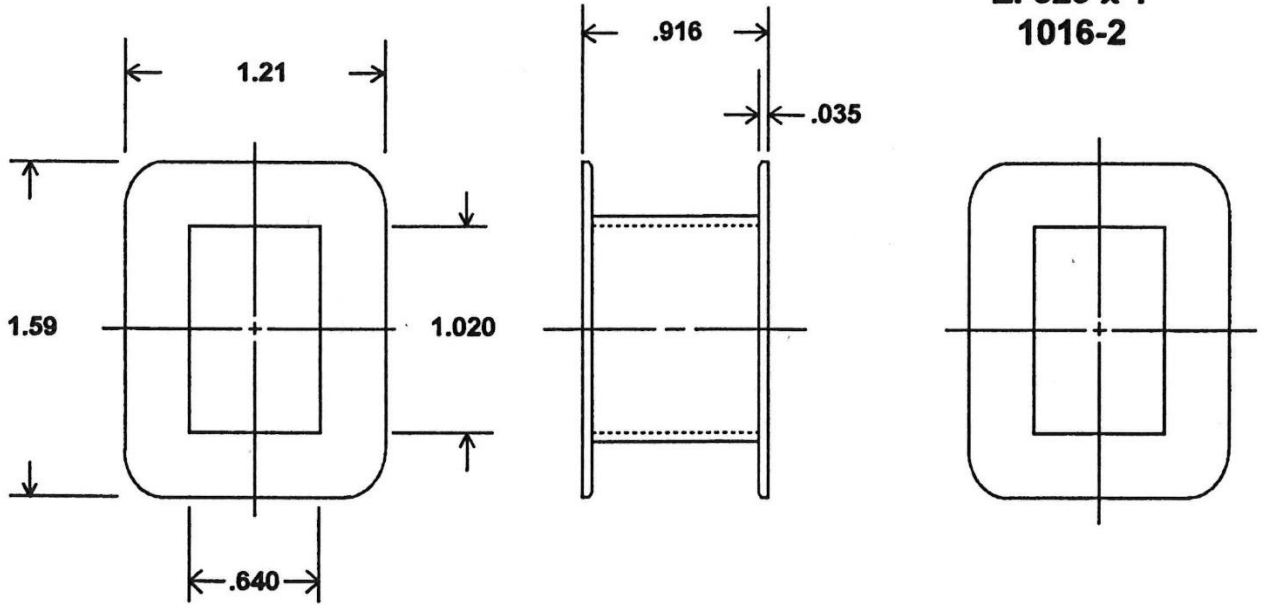
**EI 625 X 7/8
 1014-2**



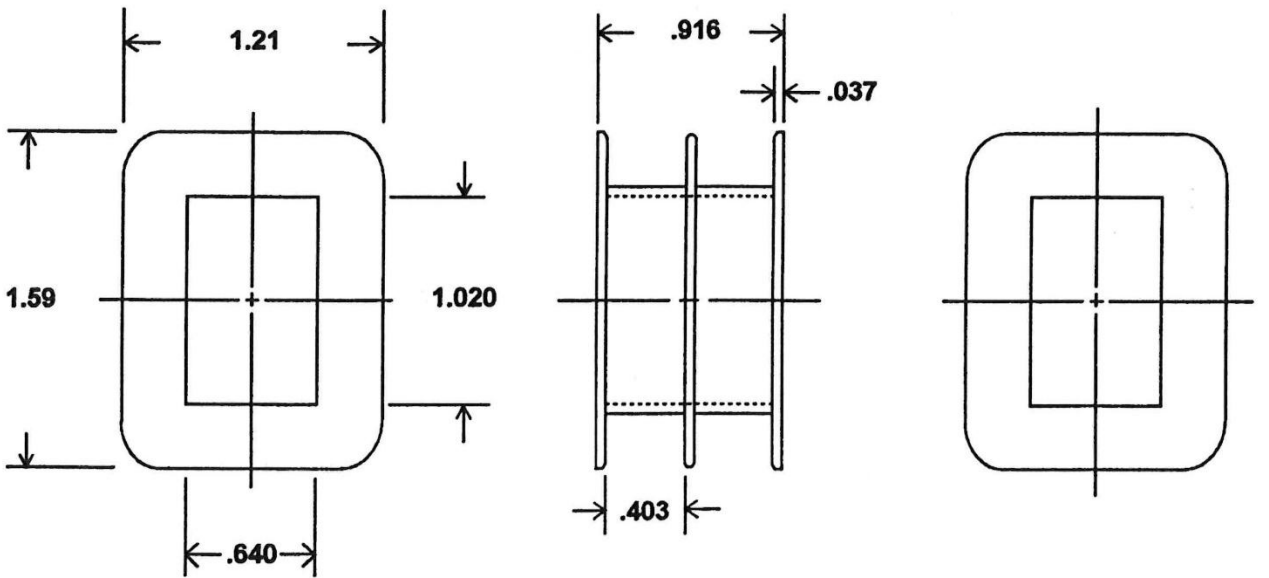
EI 625

3521 North Chapel Hill Road • Johnsburg, Illinois 60051 USA

**EI 625 x 1
 1016-2**



**EI 625 X 1
 1016-3**

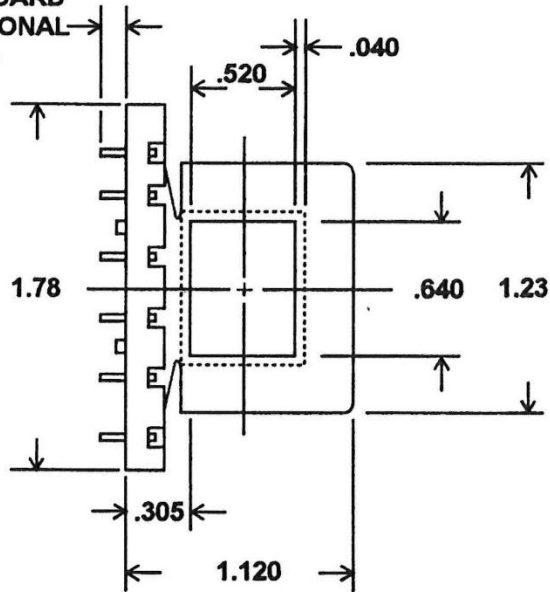
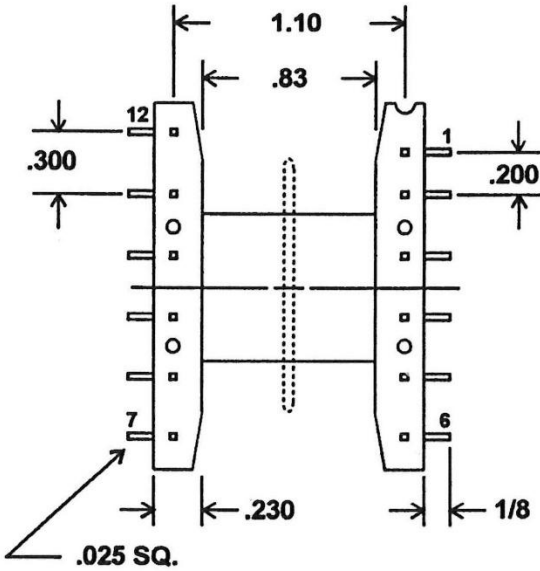


**E
 I
 6
 2
 5**

3521 North Chapel Hill Road • Johnsburg, Illinois 60051 USA

EI 625 X 1/2

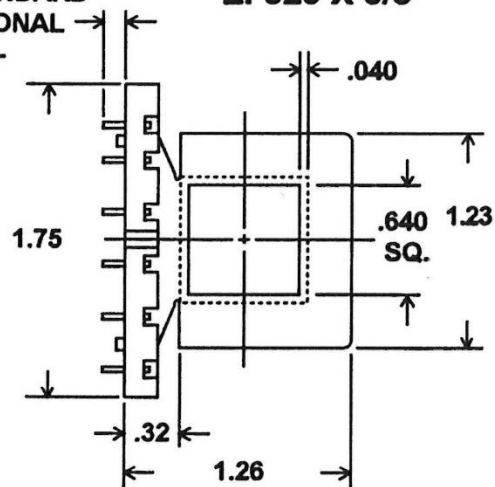
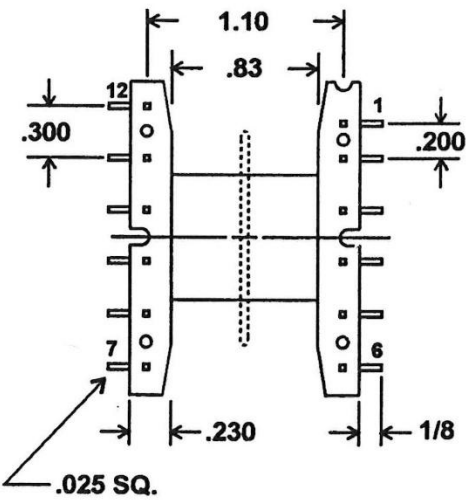
1/8 STANDARD
 3/16 OPTIONAL
 15/64 OP-
 TIONAL



PART NO. WITH 12 PINS	2 FLANGE	3 FLANGE	STAND OFFS
1008-12H	YES		.035
1008-312H		50/50	.035

EI 625 X 5/8

3/16 STANDARD
 1/8 OPTIONAL
 15/64 OP-
 TIONAL

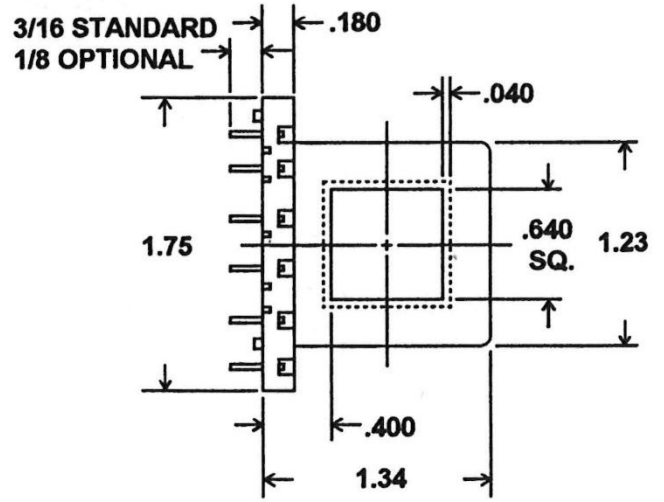
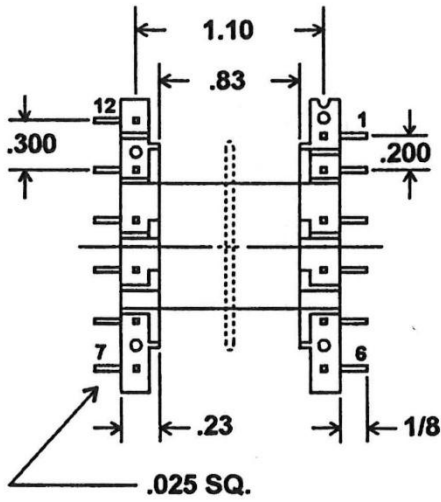


PART NO. WITH 12 PINS	2 FLANGE	3 FLANGE	STAND OFFS
1010-12H	YES		.045
1010-312H		50/50	.045

E I 6 2 5

3521 North Chapel Hill Road • Johnsburg, Illinois 60051 USA

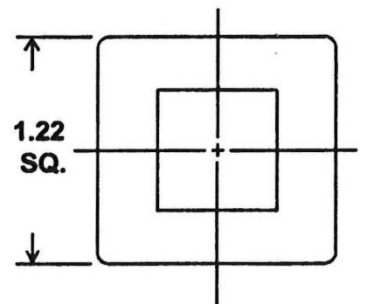
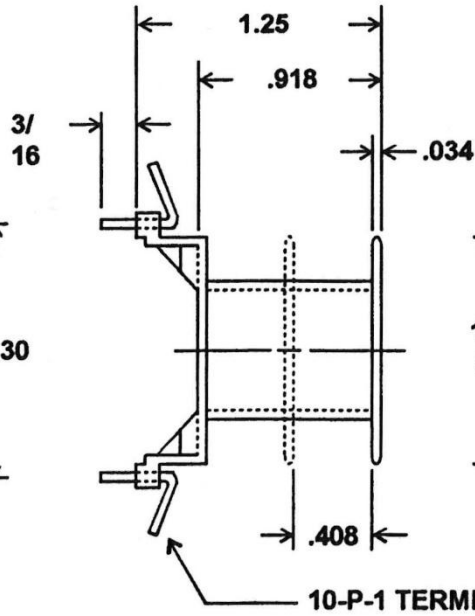
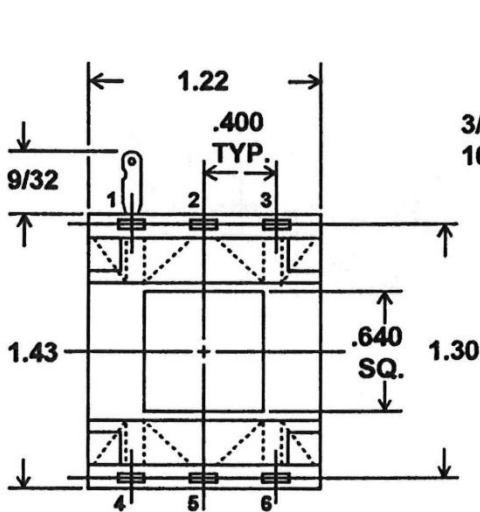
EI 625 X 5/8



PART NO. WITH 12 PINS	2 FLANGE	3 FLANGE	STAND OFFS
1010-12HS	YES		.045
1010-312HS		50/50	.045

E I 6 2 5

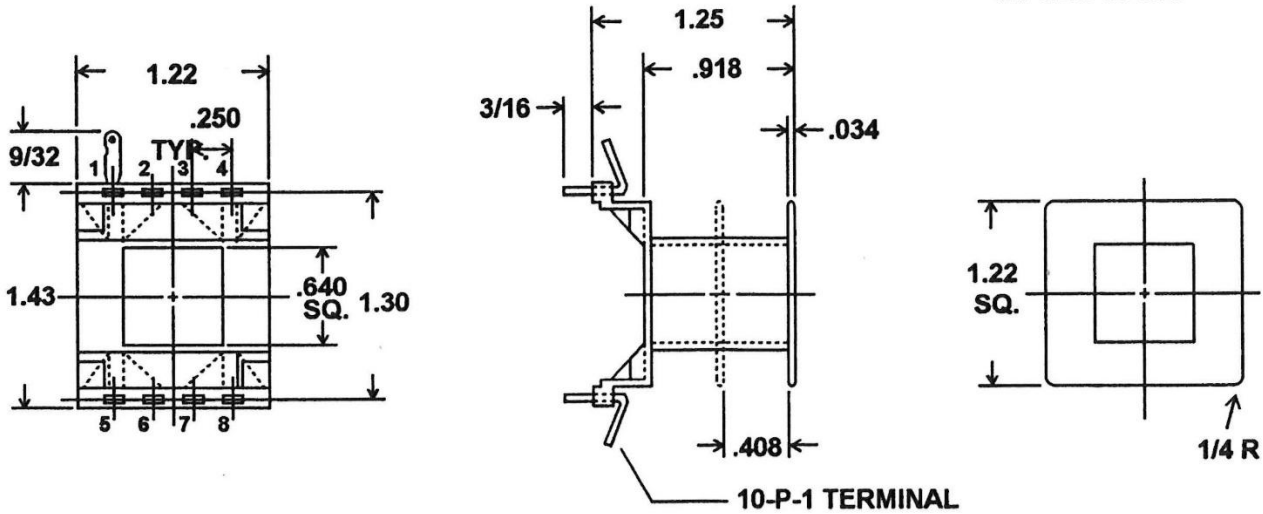
EI 625 X 5/8



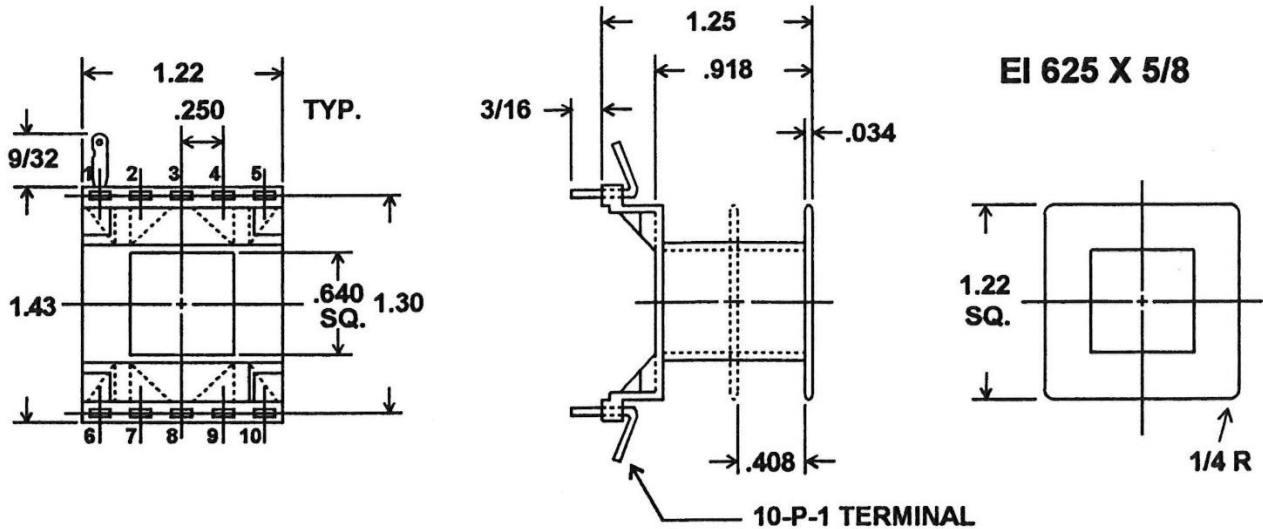
PART NO. WITH 6 TERM.	2 FLANGE	3 FLANGE	STAND OFFS
1010-6	YES		.060
1010-36		50/50	.060

3521 North Chapel Hill Road • Johnsburg, Illinois 60051 USA

EI 625 X 5/8



PART NO. WITH 8 TERM.	2 FLANGE	3 FLANGE	STAND OFFS
1010-8	YES		.060
1010-38		50/50	.060

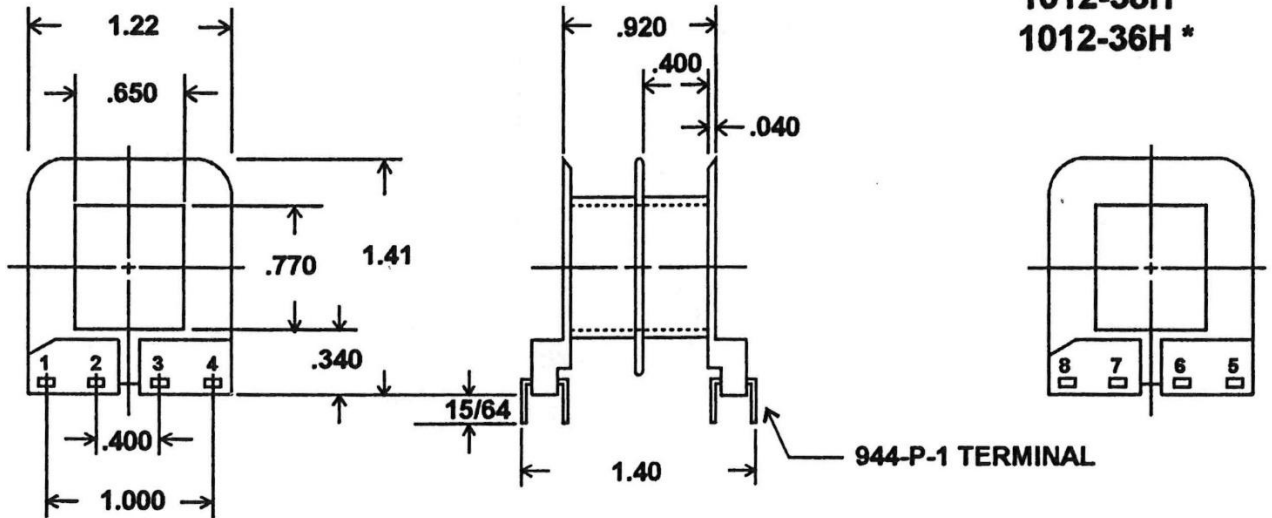


PART NO. WITH 10 TERM.	2 FLANGE	3 FLANGE	STAND OFFS
1010-10	YES		NO
1010-310		50/50	NO

E I 6 2 5

3521 North Chapel Hill Road • Johnsburg, Illinois 60051 USA

EI 625 X 3/4
1012-38H
1012-36H *



*** SAME AS 1012-38H EXCEPT TERMINALS 2 & 3 DELETED**

**E
I
6
2
5**

EI 625 X 3/4
1012-38L

