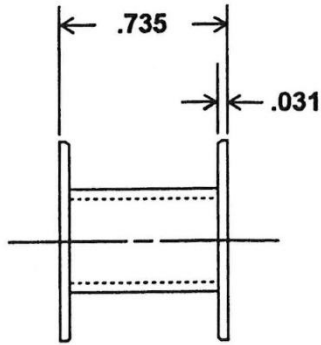
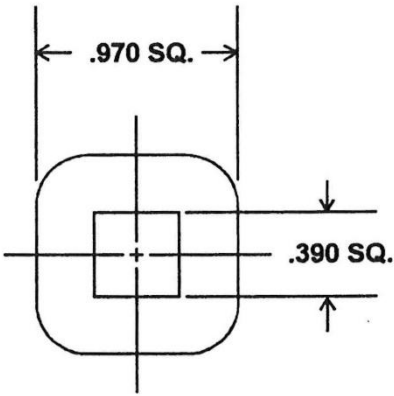
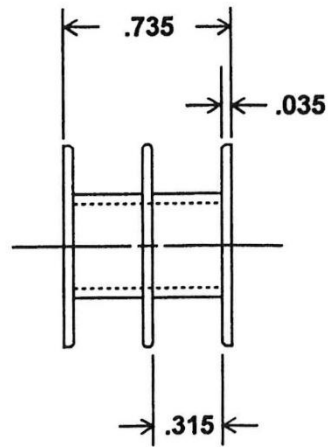
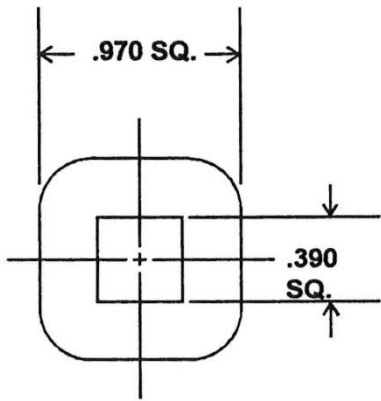
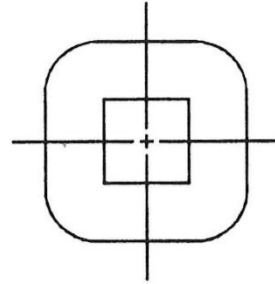


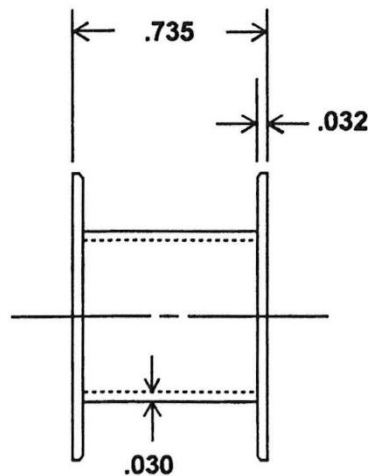
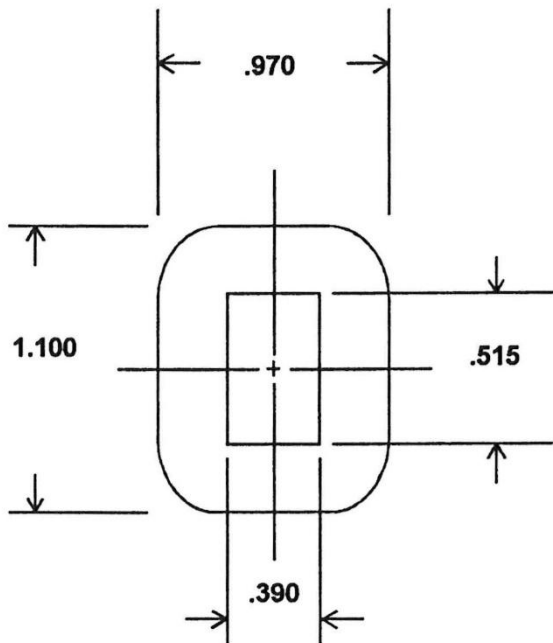
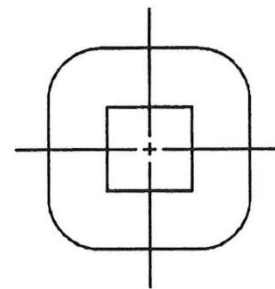
3521 North Chapel Hill Road • Johnsburg, Illinois 60051 USA



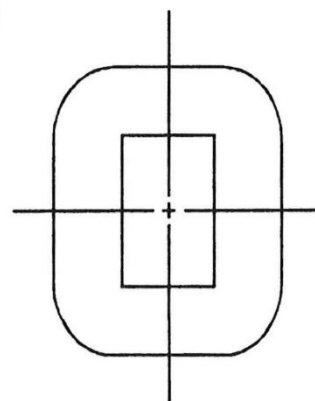
**EI 375 X 3/8
 0606-2**



**EI 375 X 3/8
 0606-3**



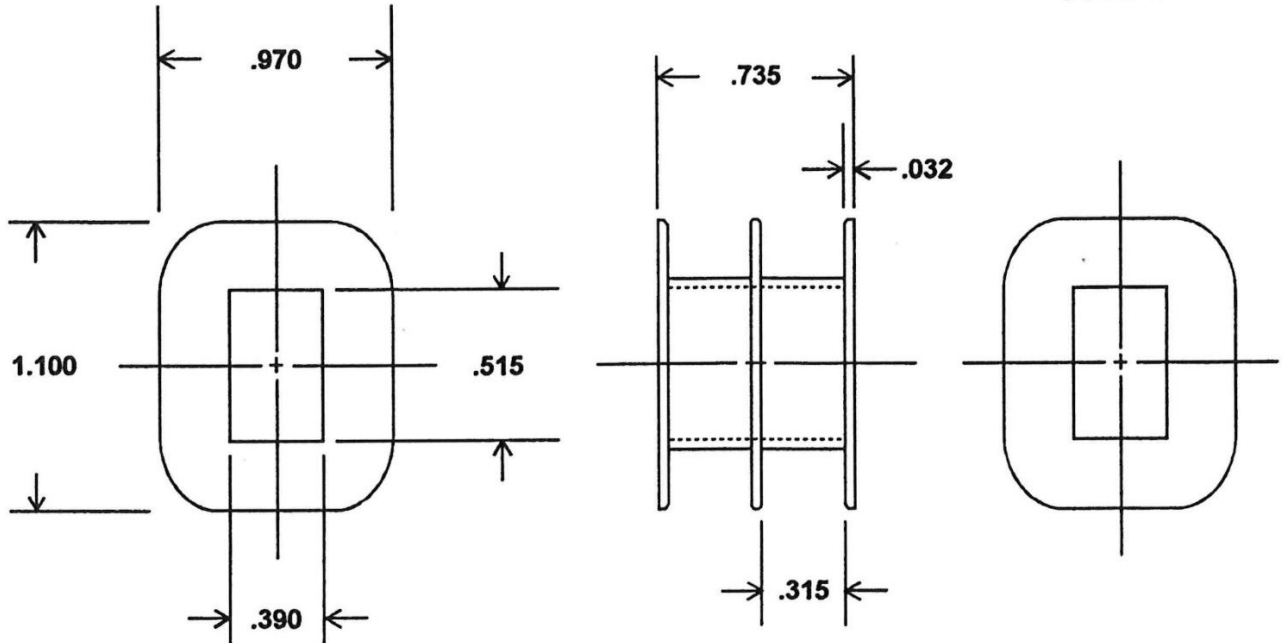
**EI 375 X 1/2
 0608-2**



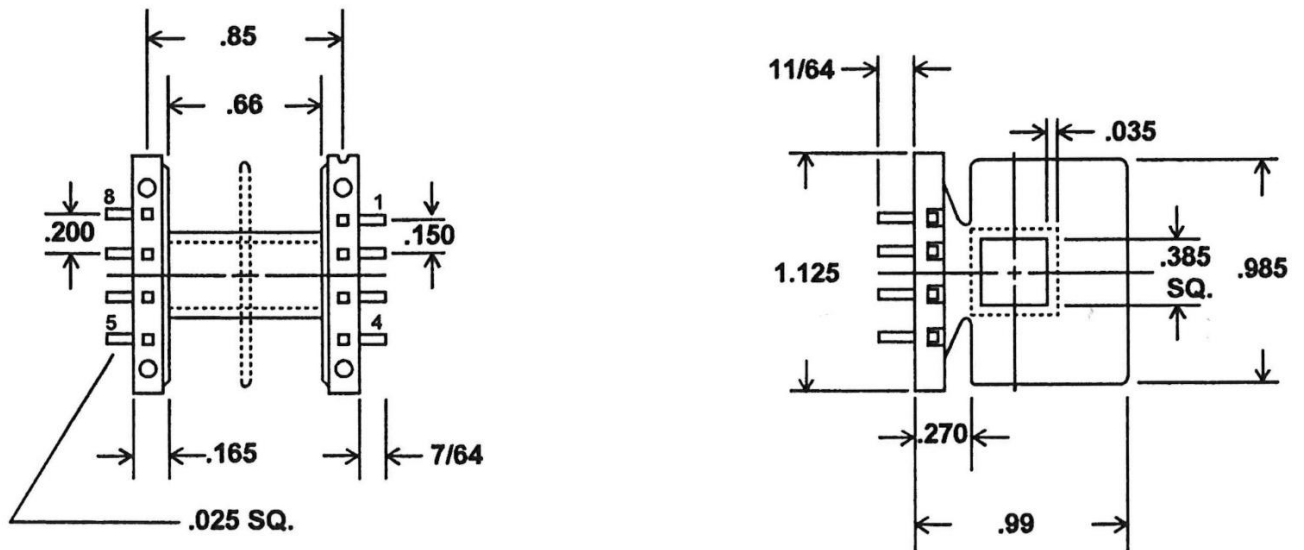
E
 I
 3
 7
 5

3521 North Chapel Hill Road • Johnsburg, Illinois 60051 USA

EI 375 X 1/2
0608-3



EI 375 X 3/8

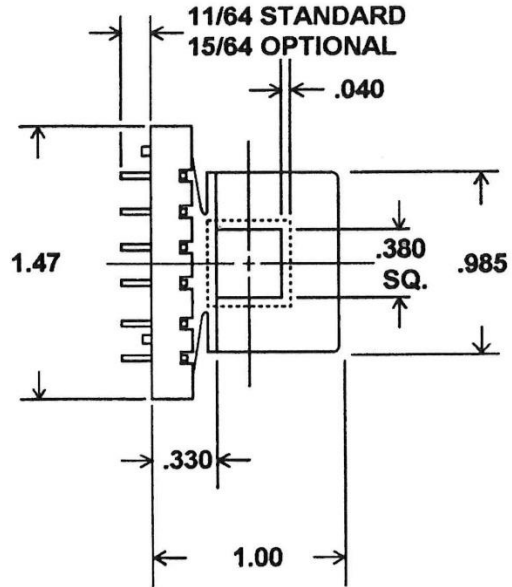
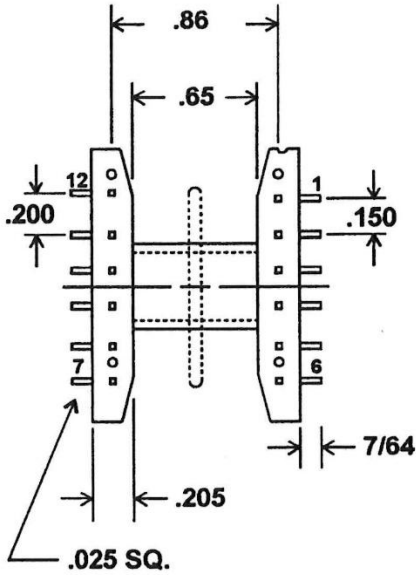


E
I
3
7
5

PART NO. WITH 8 TERM.	2 FLANGE	3 FLANGE	STAND OFFS
0606-8H	YES		.040
0606-38H		50/50	.040

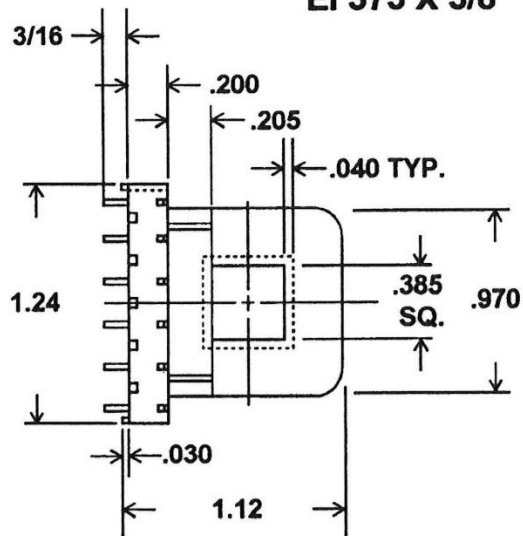
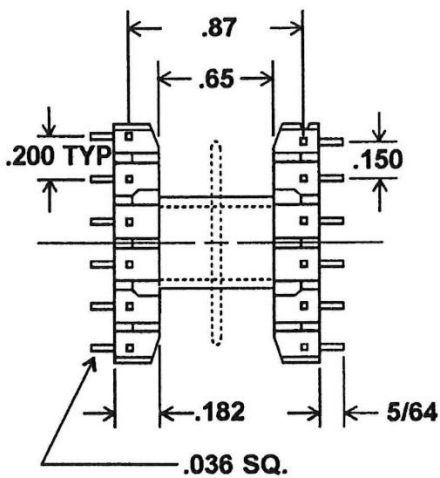
3521 North Chapel Hill Road • Johnsburg, Illinois 60051 USA

EI 375 X 3/8



PART NO. WITH 12 PINS	2 FLANGE	3 FLANGE	STAND OFFS
0606-12H	YES		.040
0606-312H		50/50	.040

EI 375 X 3/8

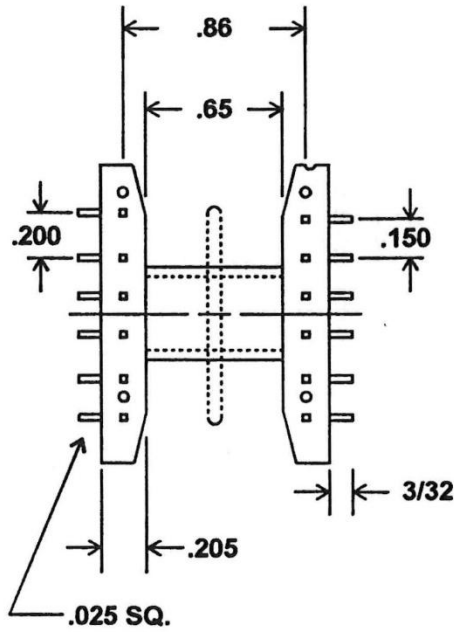


PART NO. WITH 12 PINS	2 FLANGE	3 FLANGE
0606-12HS	YES	
0606-312HS		50/50

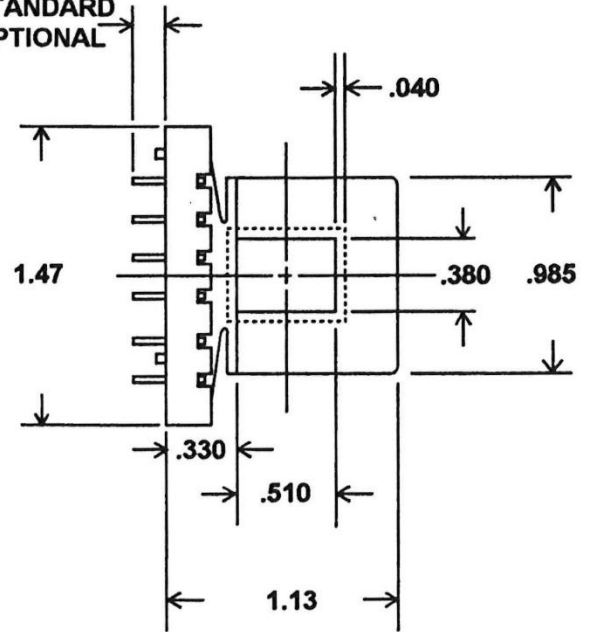
E I 375

3521 North Chapel Hill Road • Johnsburg, Illinois 60051 USA

EI 375 X 1/2



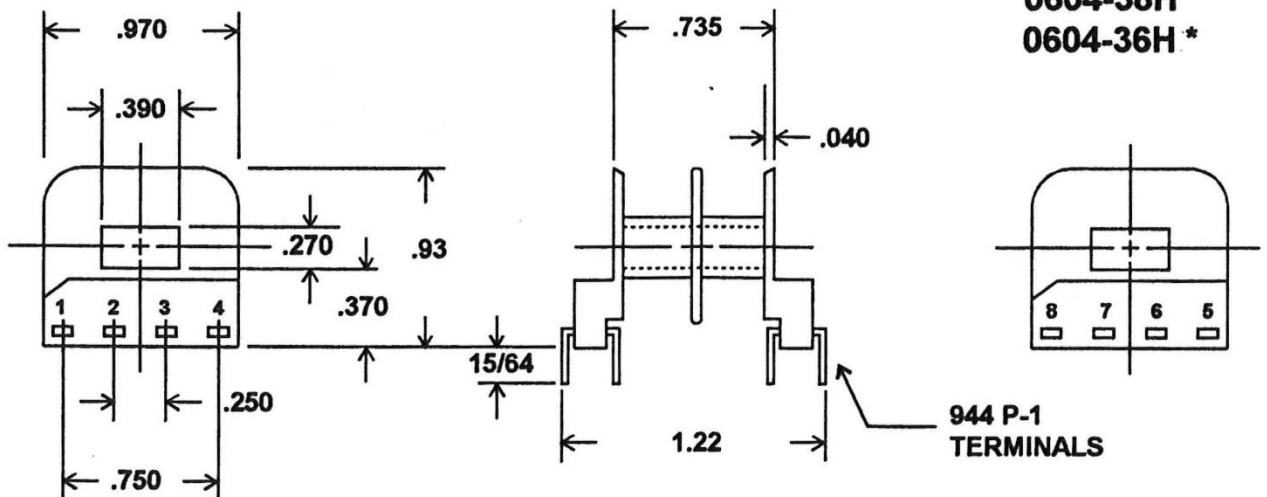
11/64 STANDARD
 15/64 OPTIONAL



E I 3 7 5

PART NO. WITH 12 PINS	2 FLANGE	3 FLANGE	STAND OFFS
0608-12H	YES		.040
0608-312H		50/50	.040

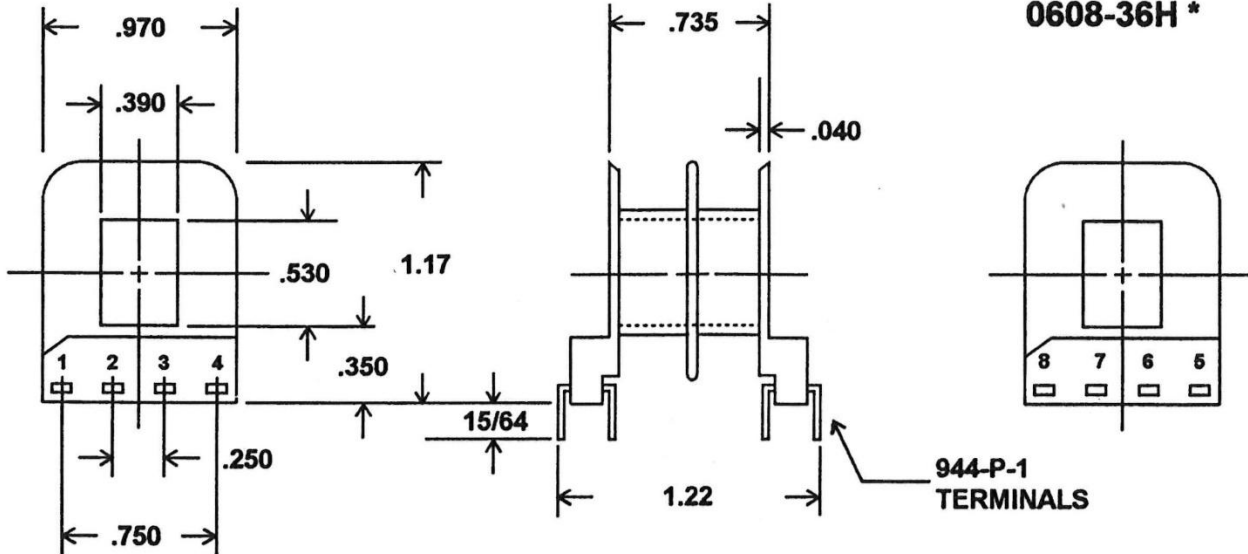
EI 375 X 1/4
0604-38H
0604-36H *



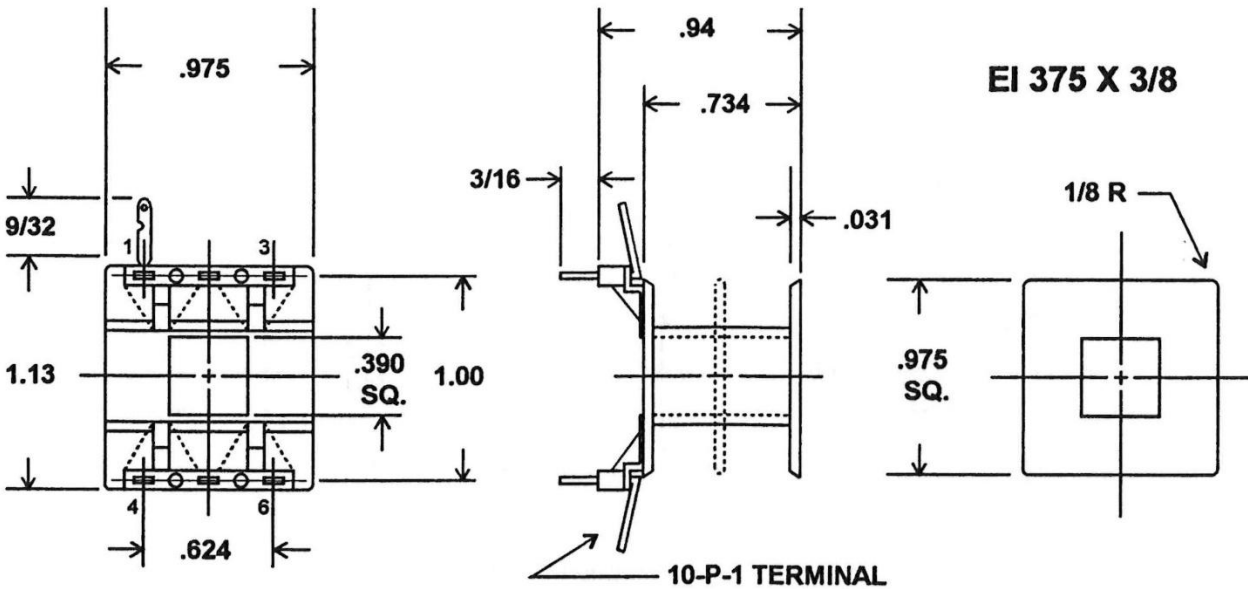
*** SAME AS 0604-38H EXCEPT TERMINALS 2 & 3 DELETED**

3521 North Chapel Hill Road • Johnsburg, Illinois 60051 USA

EI 375 X 1/2
0608-38H
0608-36H *



*** SAME AS 0608-38H EXCEPT TERMINALS 2 & 3 DELETED**

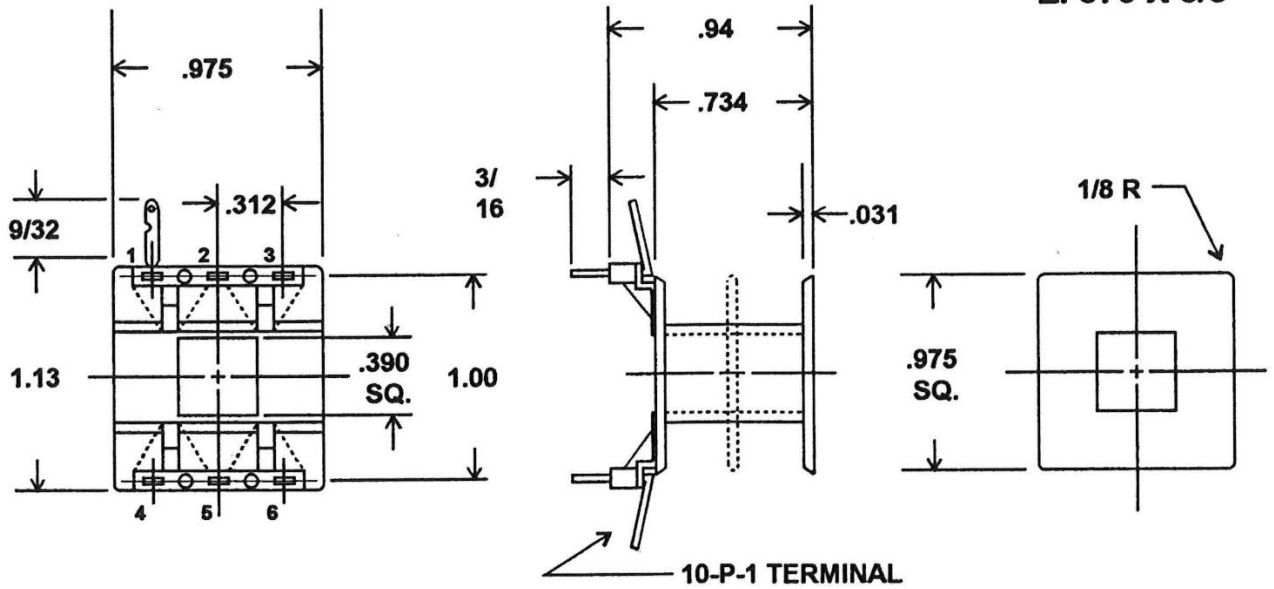


E I 375

PART NO. WITH TERM.	2 FLANGE	3 FLANGE	STAND OFFS
0606-462	YES		.040
0606-3462		50/50	.040

3521 North Chapel Hill Road • Johnsburg, Illinois 60051 USA

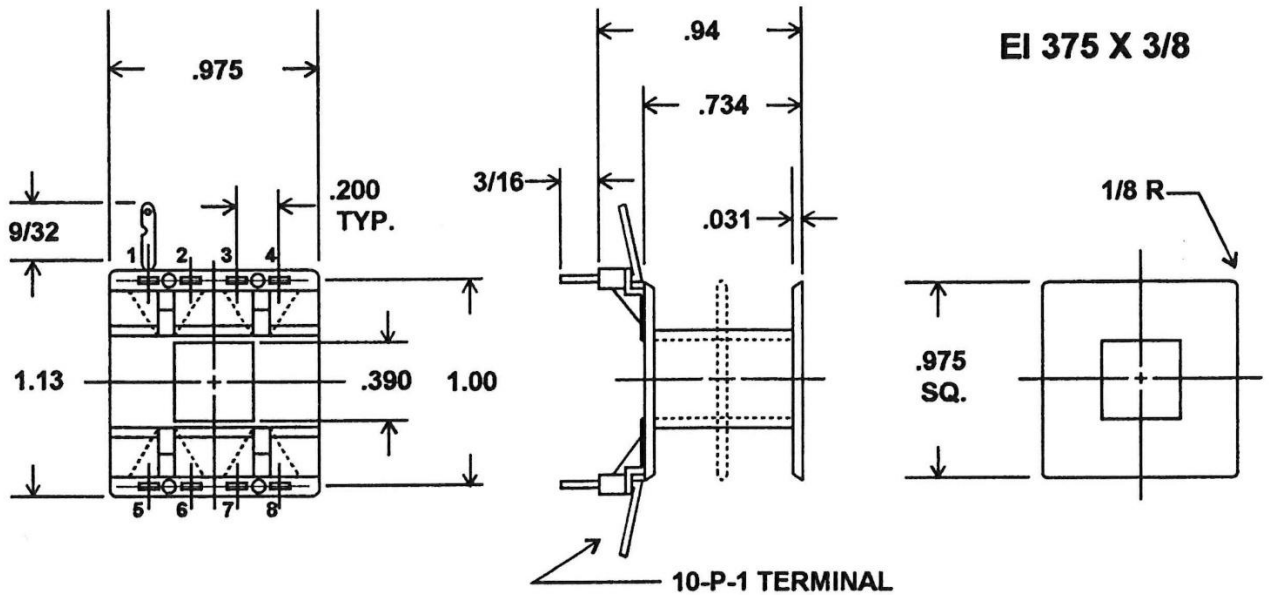
EI 375 X 3/8



PART NO. WITH 6 TERM.	2 FLANGE	3 FLANGE	STAND OFFS
0606-6	YES		.060
0606-36		50/50	.060

E I 375

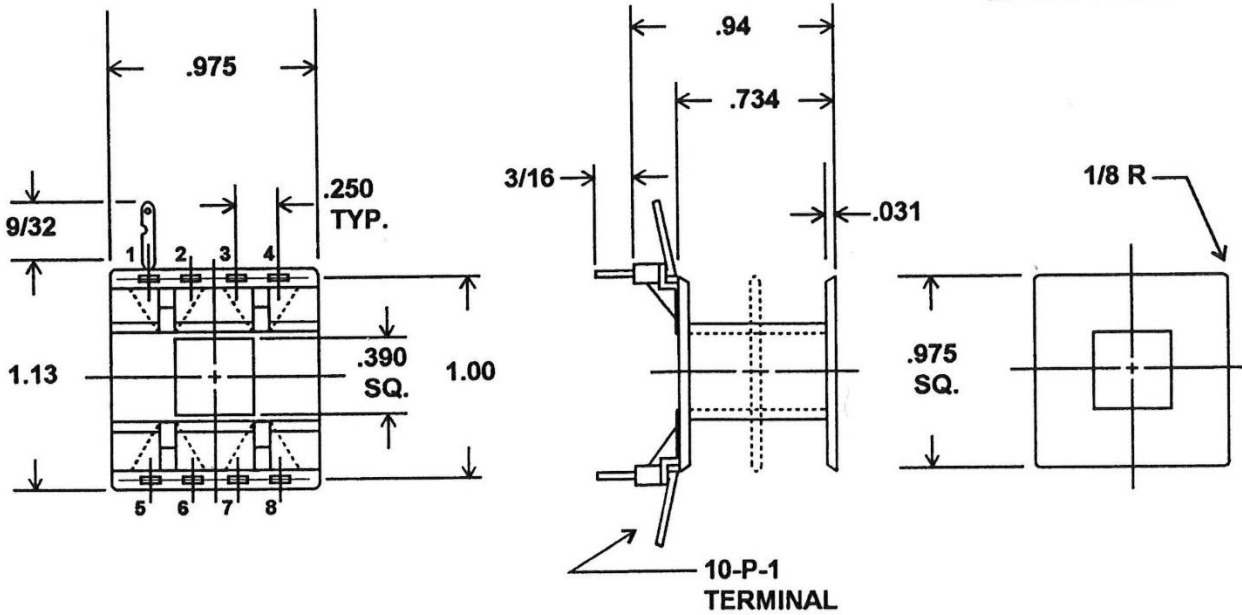
EI 375 X 3/8



PART NO. WITH 8 TERM.	2 FLANGE	3 FLANGE	STAND OFFS
0606-820	YES		.060
0606-3820		50/50	.060

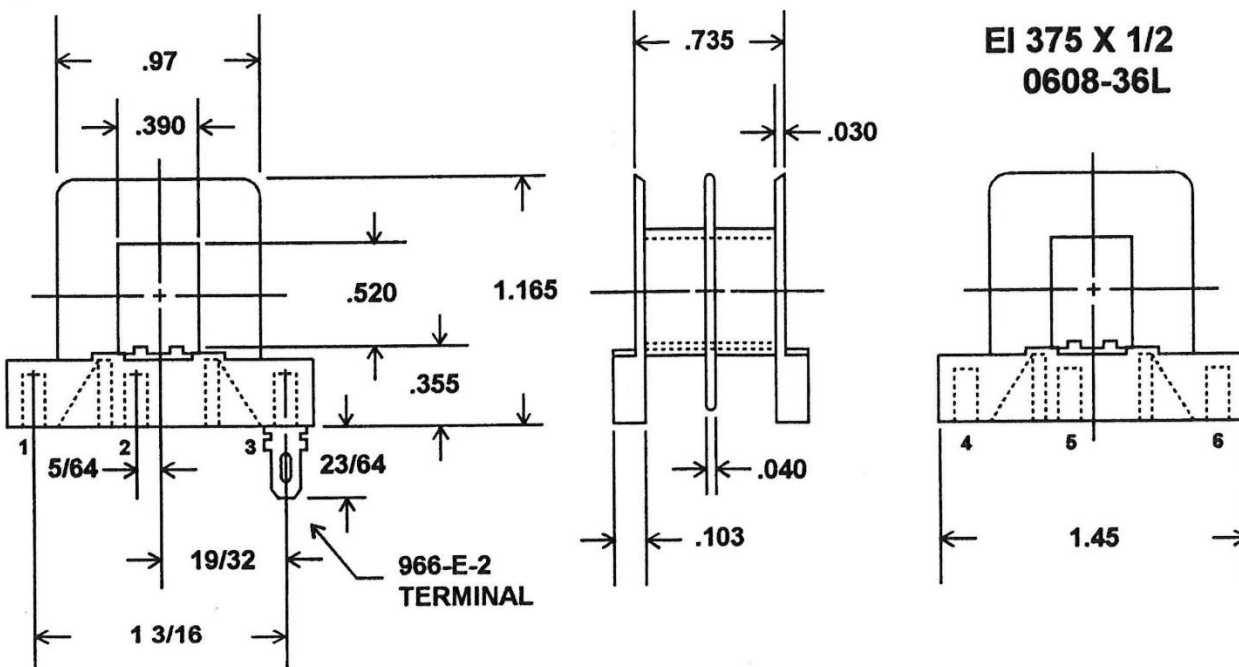
3521 North Chapel Hill Road • Johnsburg, Illinois 60051 USA

EI 375 X 3/8



PART NO. WITH 8 TERM.	2 FLANGE	3 FLANGE	STAND OFFS
0606-825	YES		.060
0606-3825		50/50	.060

EI 375 X 1/2
0608-36L



E I 3 7 5