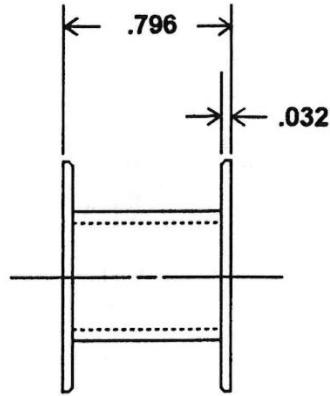
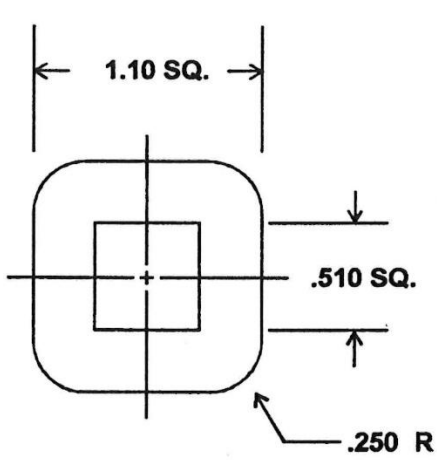
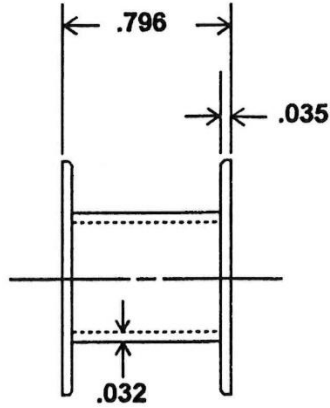
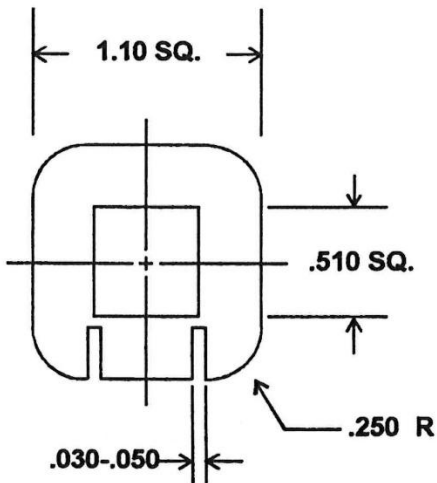
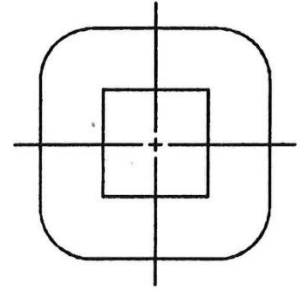


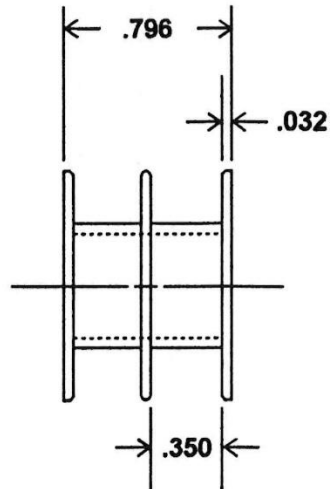
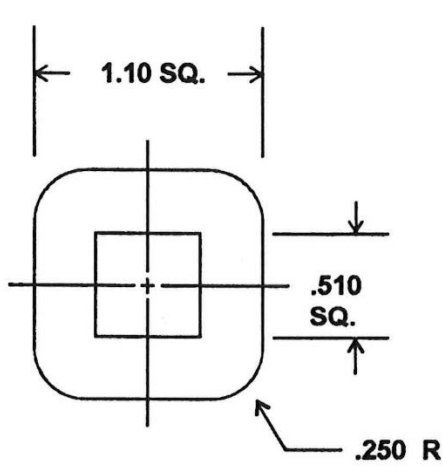
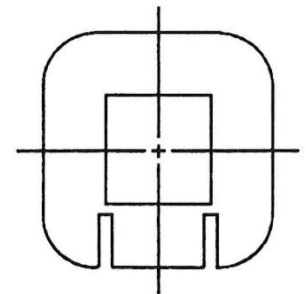
E I 2 1



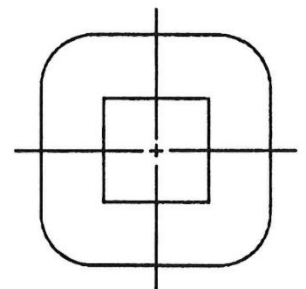
**EI 21 X 1/2
 0808-2**

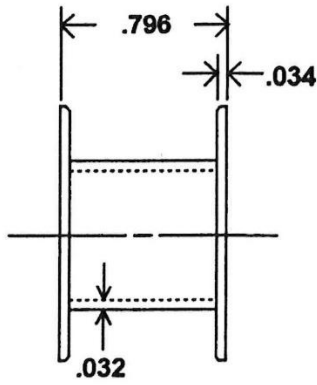
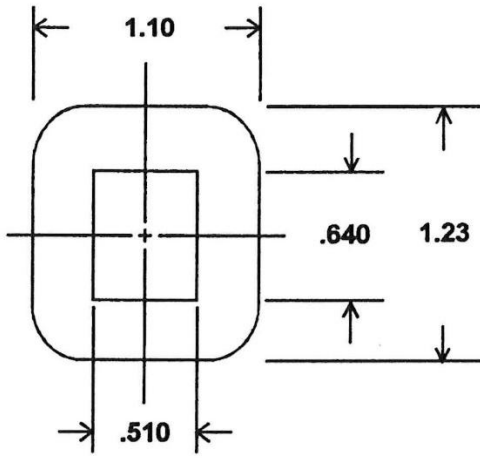


**EI 21 X 1/2
 0808-2S**

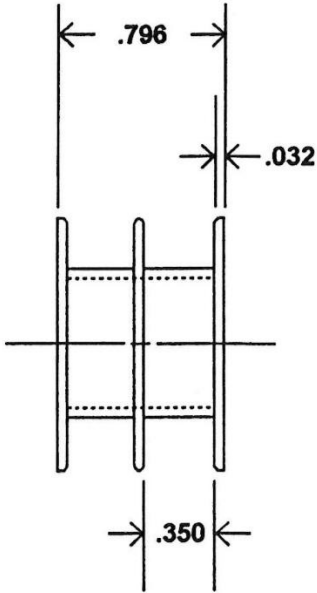
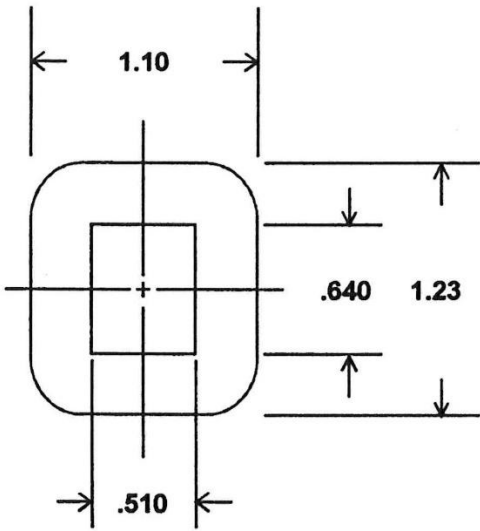
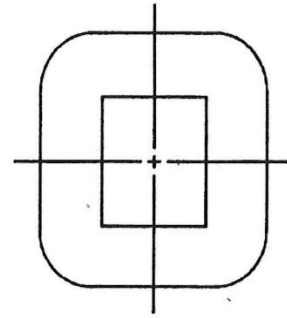


**EI 21 X 1/2
 0808-3**

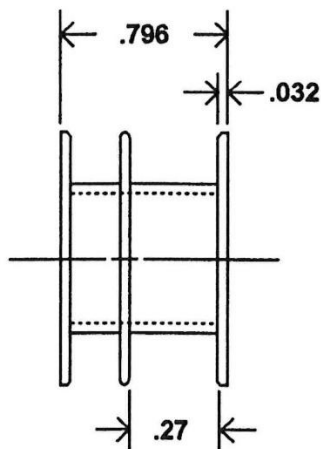
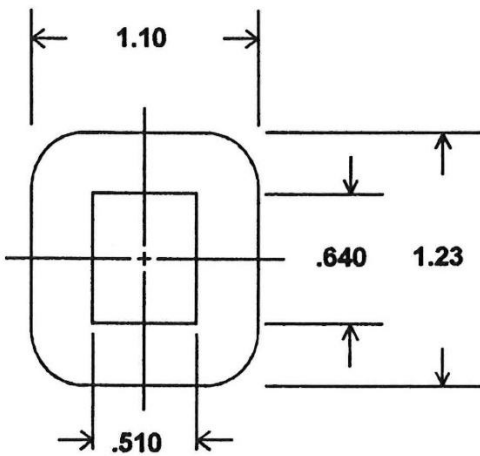
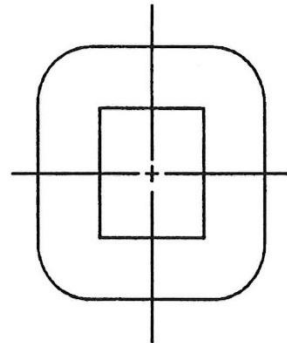




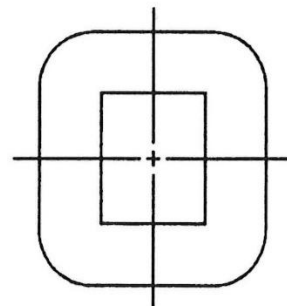
EI 21 X 5/8
0810-2



EI 21 X 5/8
0810-3

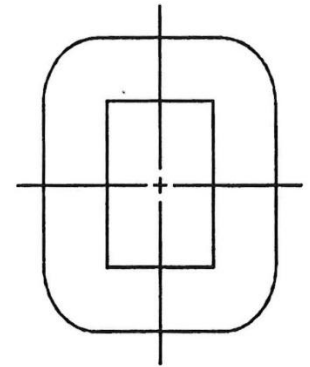
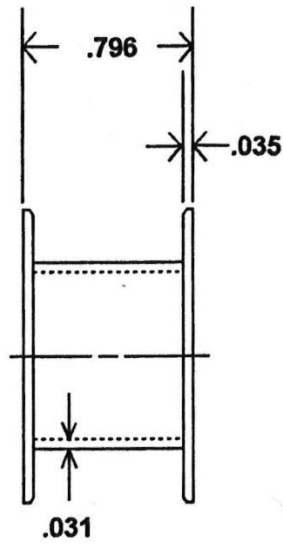
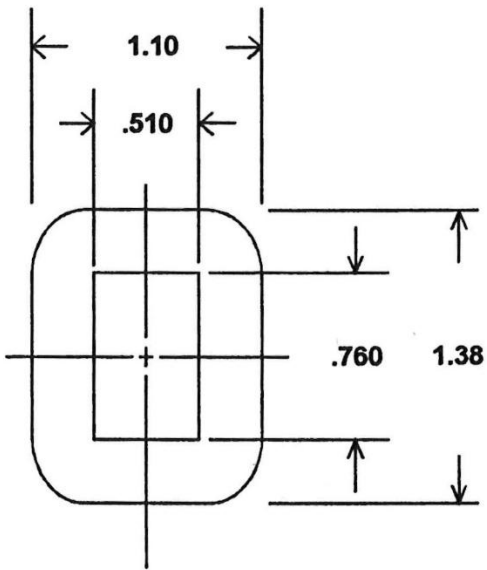


EI 21 X 5/8
0810-3-6/4



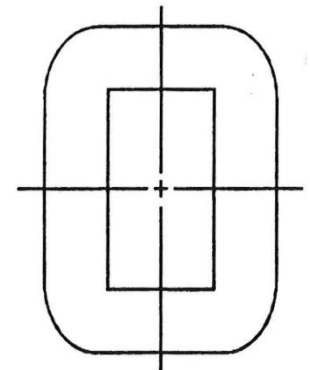
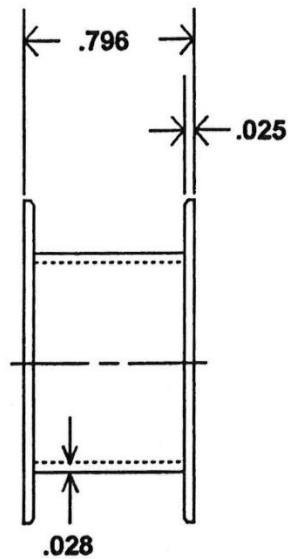
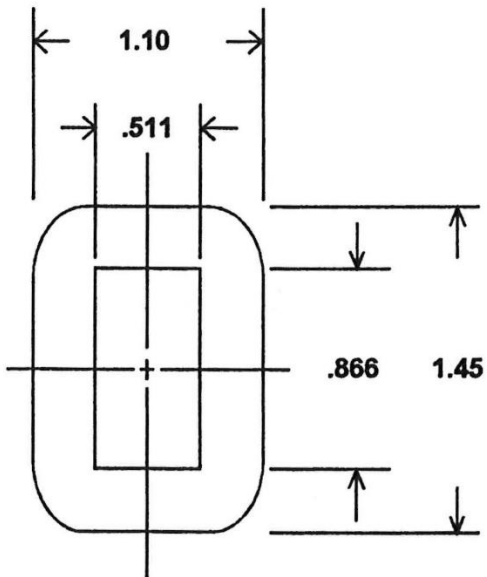
E
 I
 2
 1

EI 21 X 3/4
0812-2

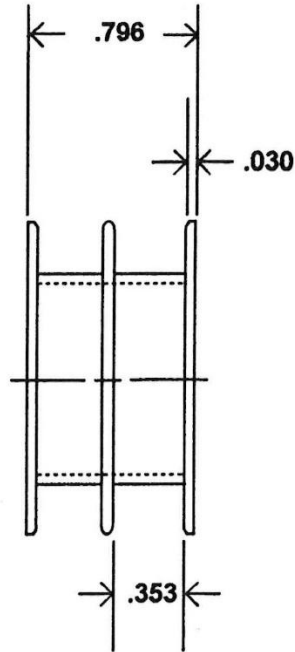
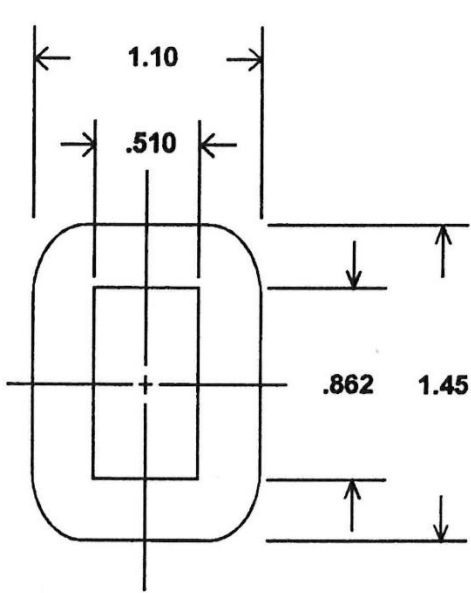


E
I
2
1

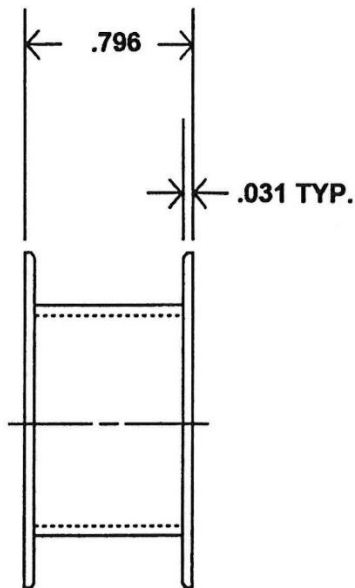
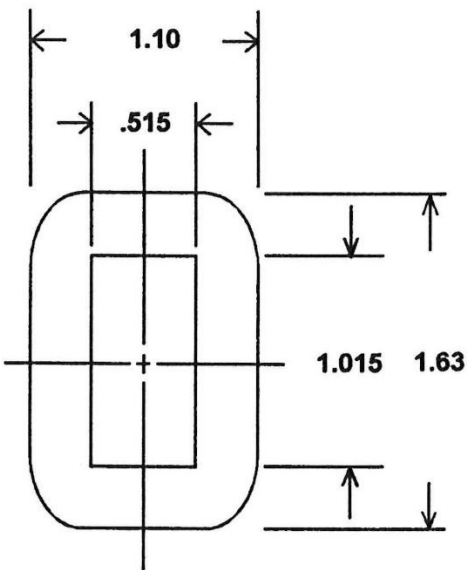
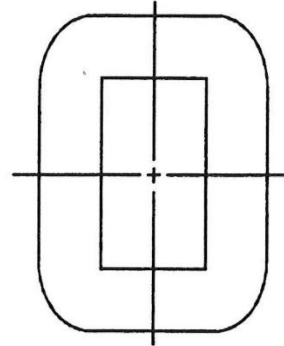
EI 21 X .850
0814-2



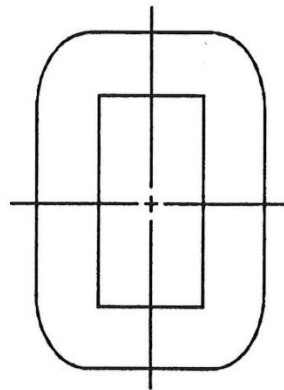
3521 North Chapel Hill Road • Johnsburg, Illinois 60051 USA



EI 21 X .850
0814-3



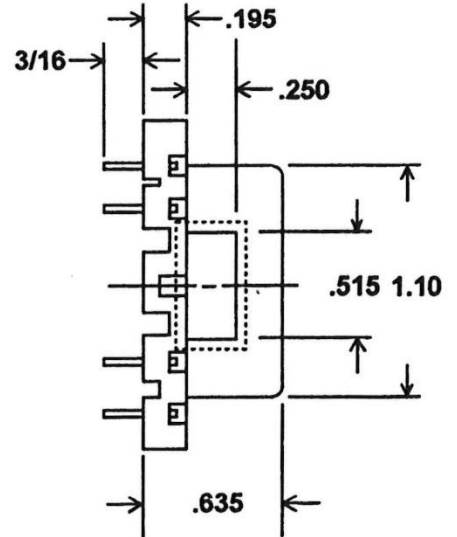
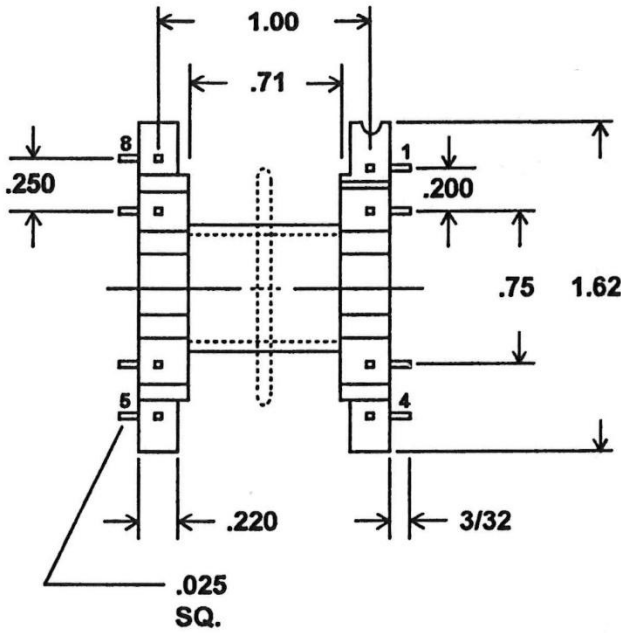
EI 21 X 1
0816-2



E
I
2
1

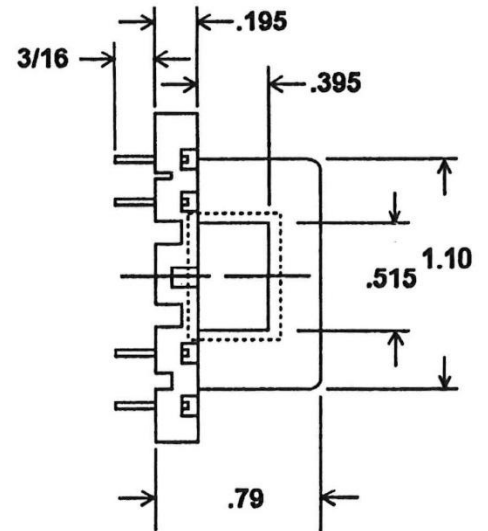
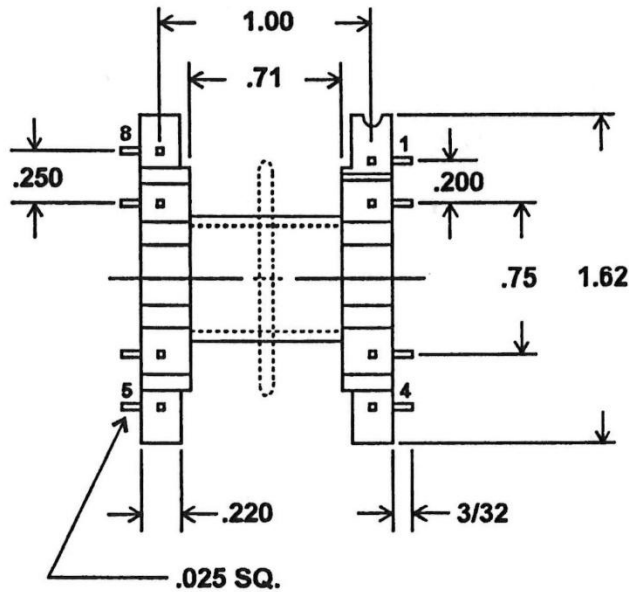
3521 North Chapel Hill Road • Johnsburg, Illinois 60051 USA

EI 21 X 1/4



PART NO. WITH 8 PINS	2 FLANGE	3 FLANGE	STAND OFFS
0804-8H	YES		NO
0804-38H		50/50	NO

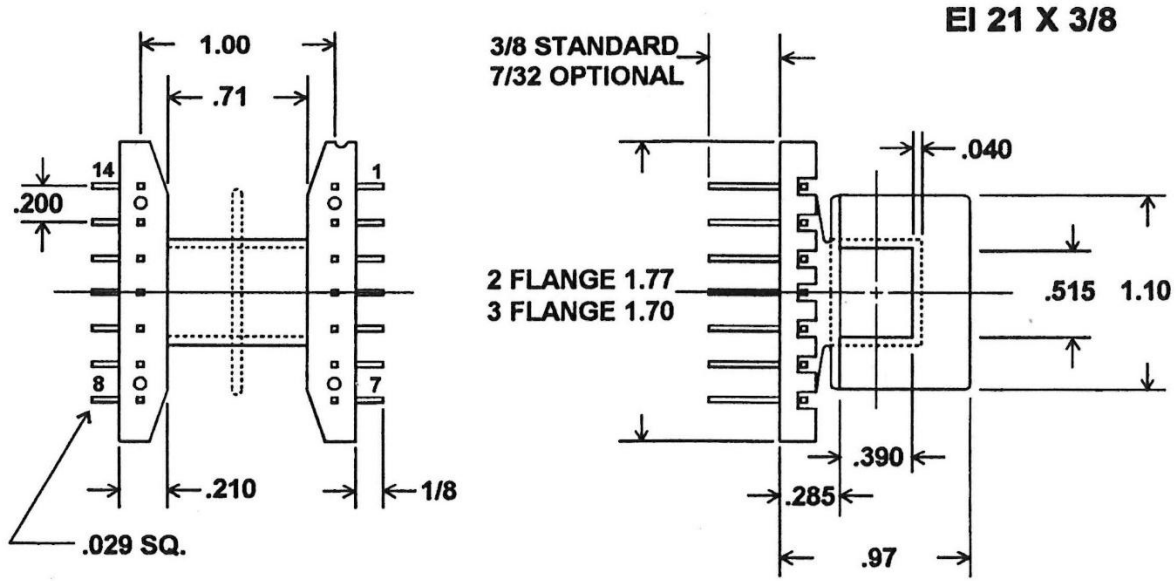
EI 21 X 3/8



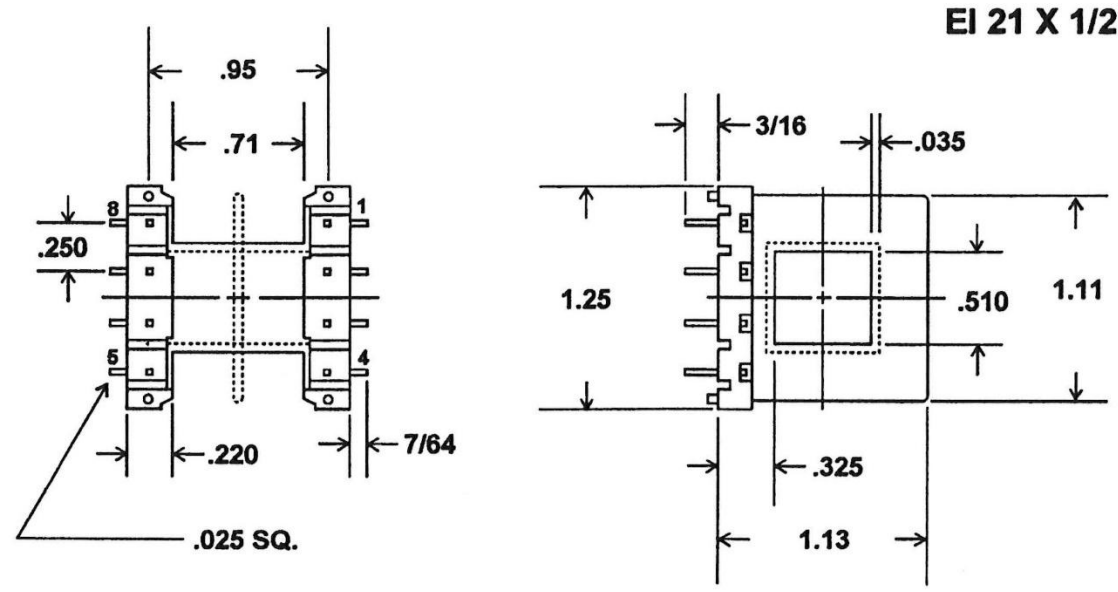
PART NO. WITH 8 PINS	2 FLANGE	3 FLANGE	STAND OFFS
0806-8H	YES		NO
0806-38H		50/50	NO

E
I
2
1

3521 North Chapel Hill Road • Johnsburg, Illinois 60051 USA



PART NO. WITH 14 PINS	2 FLANGE	3 FLANGE	STAND OFFS
0806-14H	YES		.040
0806-314H		50/50	.040

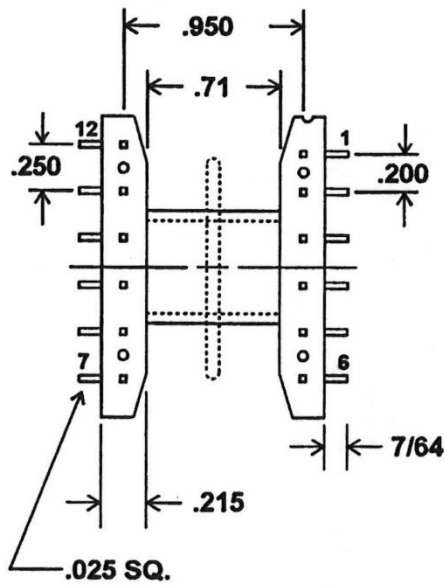


PART NO. WITH 8 PINS	2 FLANGE	3 FLANGE	STAND OFFS
0808-8HS	YES		.050
0808-38HS		50/50	.050

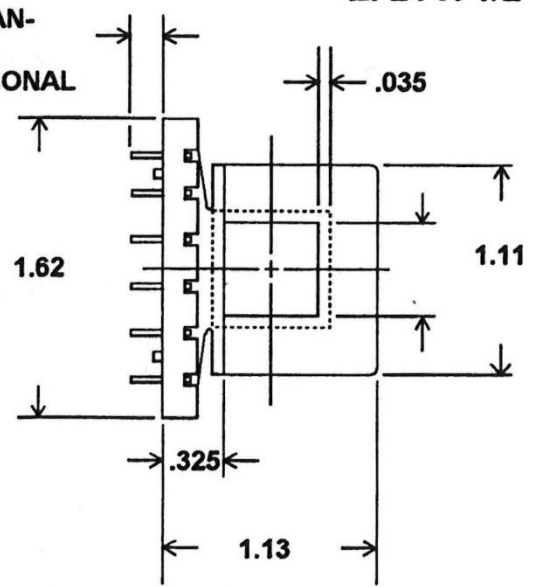
EI 21

3521 North Chapel Hill Road • Johnsburg, Illinois 60051 USA

EI 21 X 1/2



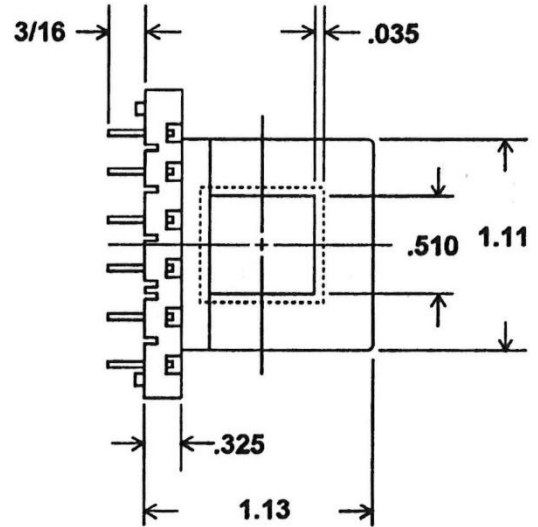
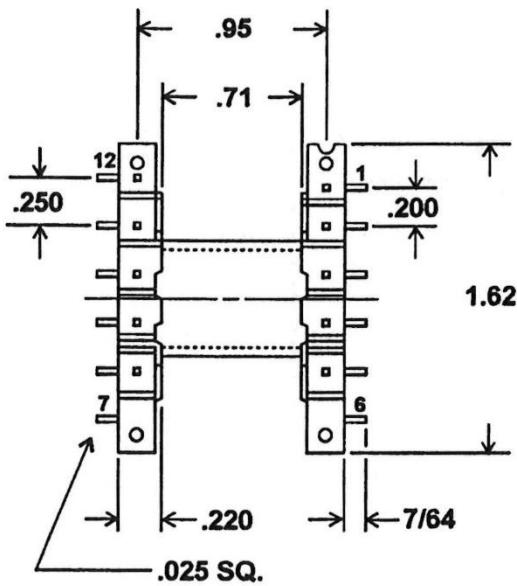
3/16 STANDARD
 1/8 OPTIONAL



PART NO. WITH 12 PINS	2 FLANGE	3 FLANGE	STAND OFFS
0808-12H	YES		.040
0808-312H		50/50	.040

E I 2 1

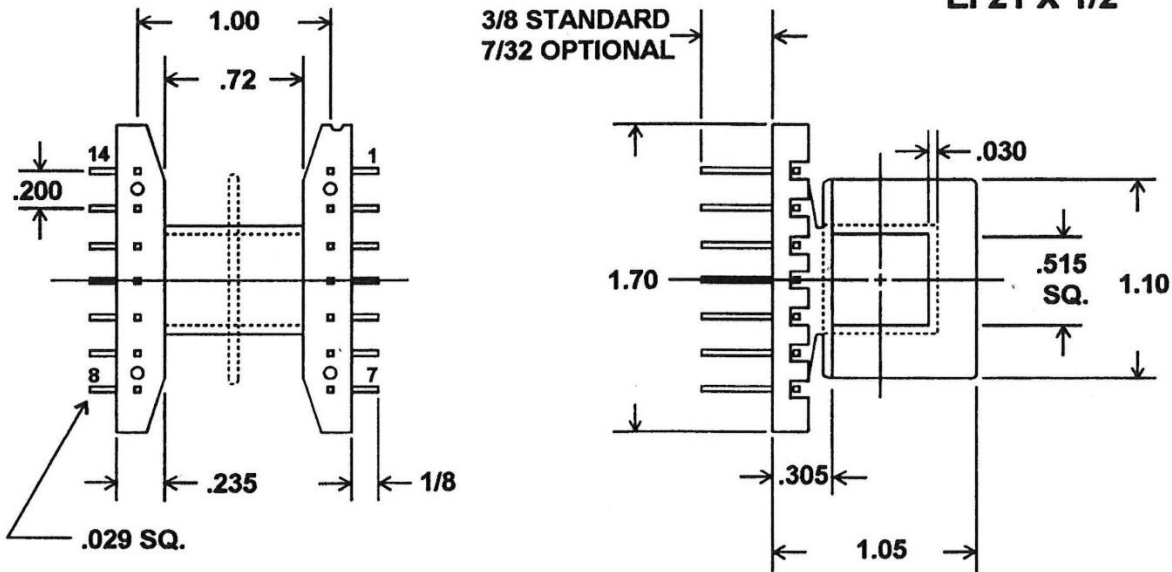
EI 21 X 1/2



PART NO. WITH 12 PINS	2 FLANGE	3 FLANGE	STAND OFFS
0808-12HS	YES		.040
0808-312HS		50/50	.040

3521 North Chapel Hill Road • Johnsburg, Illinois 60051 USA

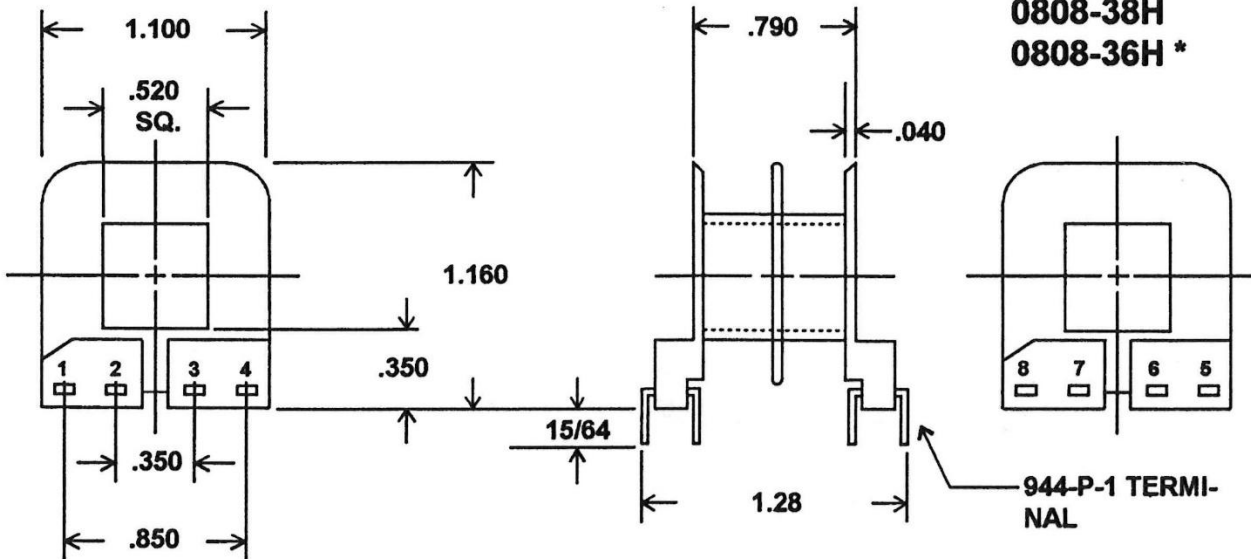
EI 21 X 1/2



PART NO. WITH 12 PINS	2 FLANGE	3 FLANGE	STAND OFFS
0808-14H	YES		.040
0808-314H		50/50	.040

E
I
2
1

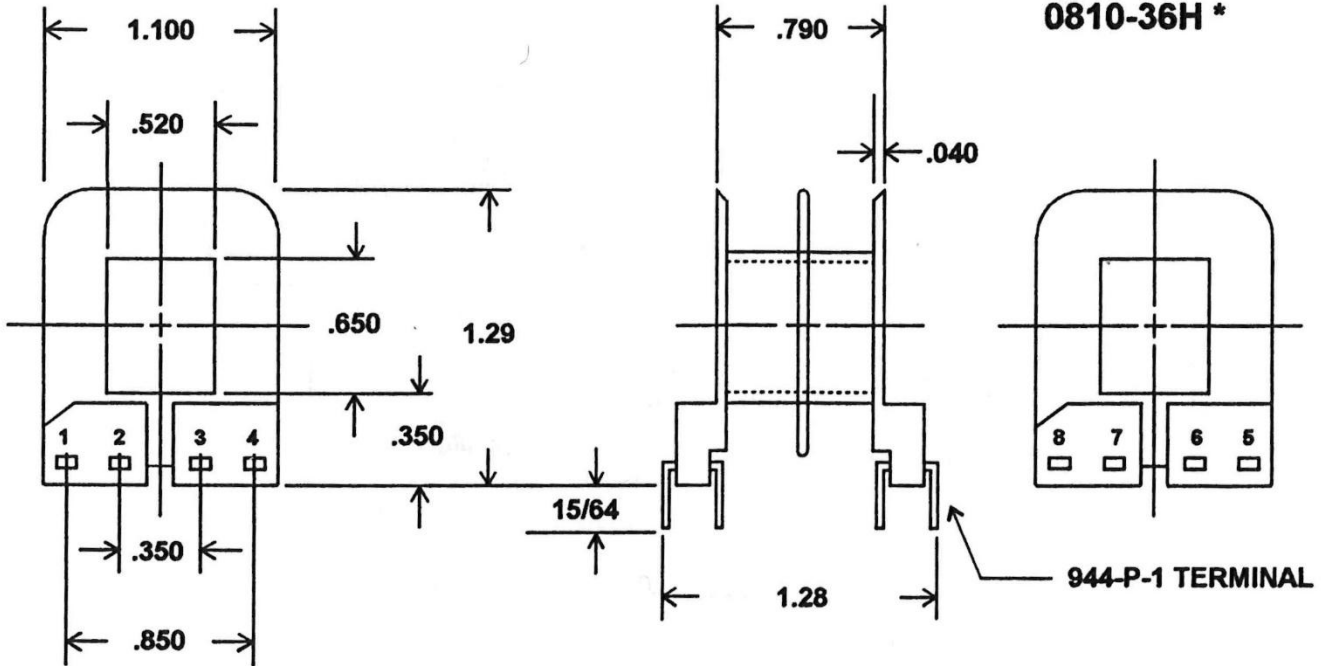
EI 21 X 1/2
0808-38H
0808-36H *



*** SAME AS 0808-38H EXCEPT TERMINALS 2 & 3 DELETED**

3521 North Chapel Hill Road • Johnsburg, Illinois 60051 USA

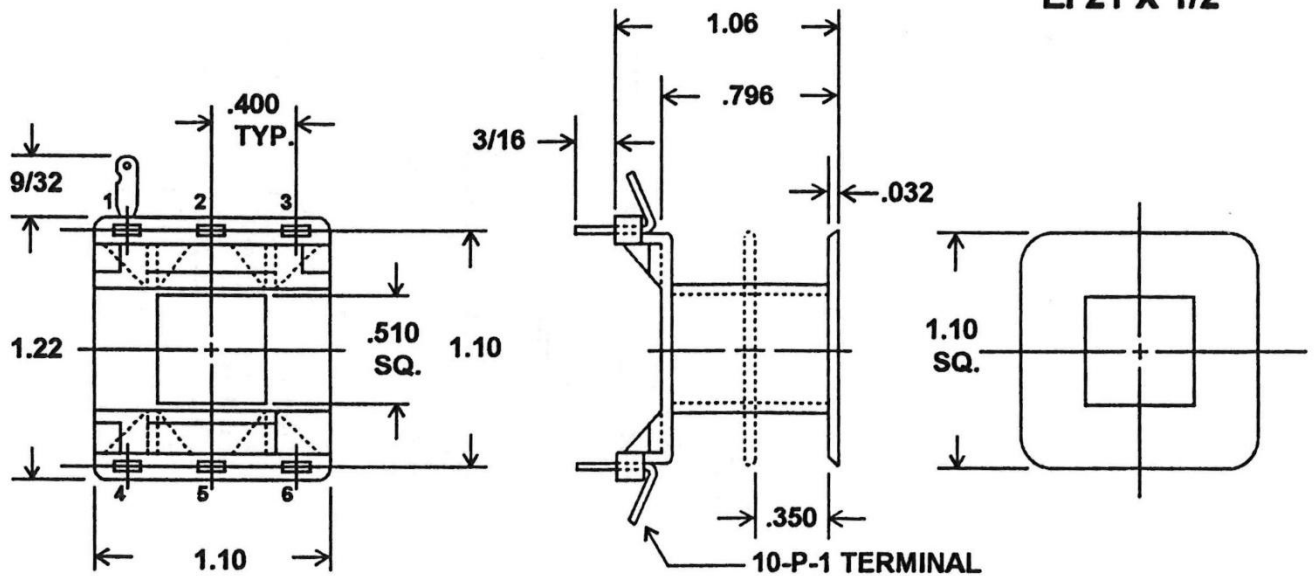
EI 21 X 5/8
0810-38H
0810-36H *



*** SAME AS 0810-38H EXCEPT TERMINALS 2 & 3 DELETED**

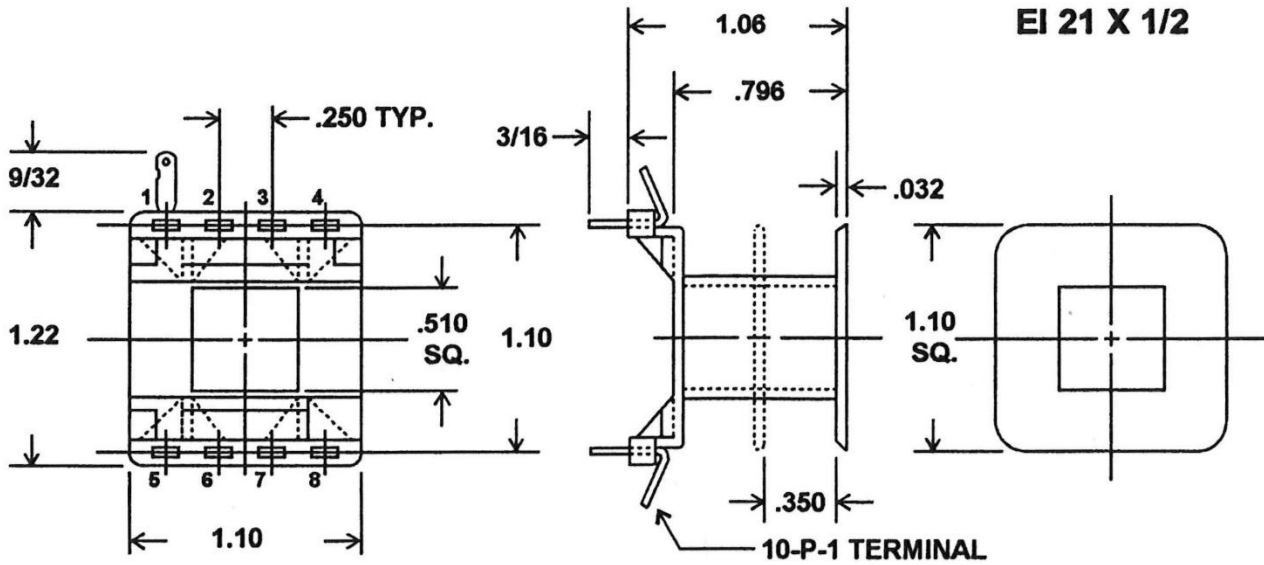
**E
I
2
1**

EI 21 X 1/2

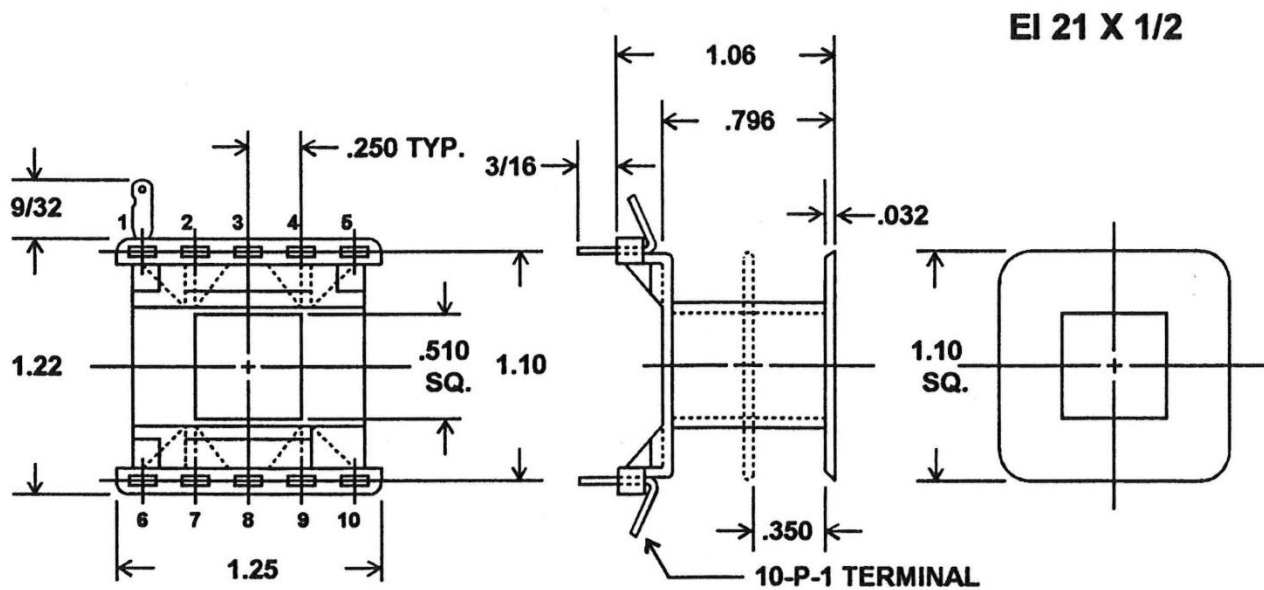


PART NO. WITH 6 TERM.	2 FLANGE	3 FLANGE	STAND OFFS
0808-6	YES		.060
0808-36		50/50	.060

3521 North Chapel Hill Road • Johnsburg, Illinois 60051 USA



PART NO. WITH 8 TERM.	2 FLANGE	3 FLANGE	STAND OFFS
0808-8	YES		.060
0808-38		50/50	.060

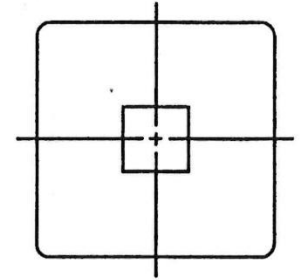
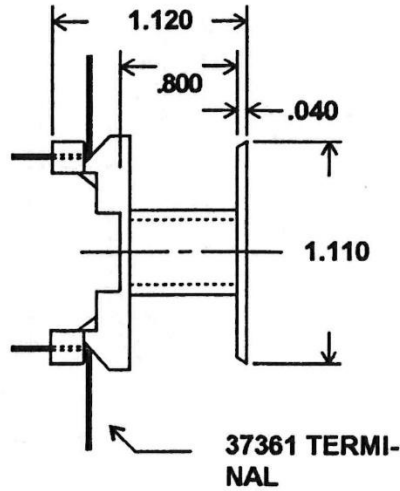
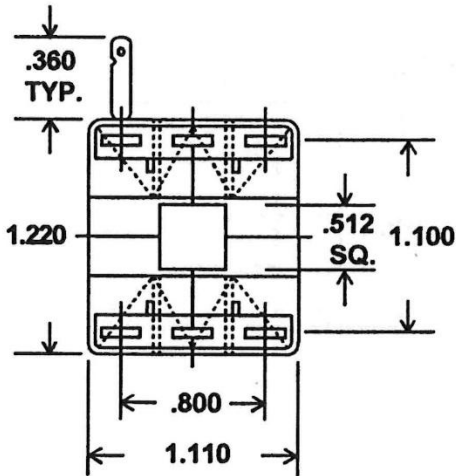


PART NO. WITH 10 TERM.	2 FLANGE	3 FLANGE	STAND OFFS
0808-10	YES		NO
0808-310		50/50	NO

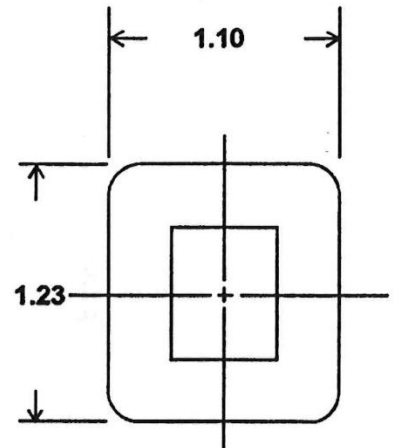
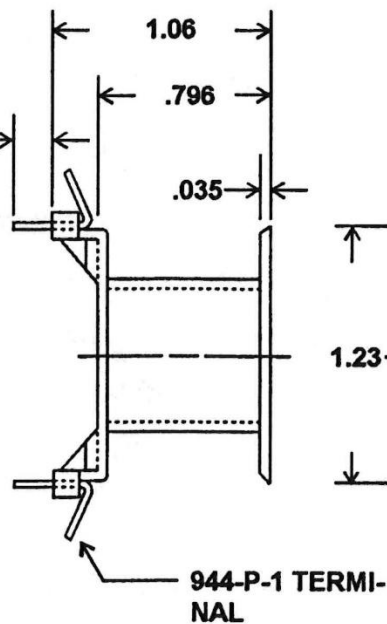
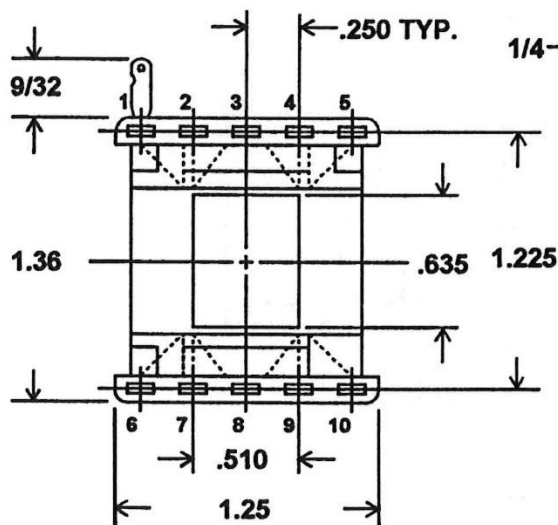
E I 2 1

3521 North Chapel Hill Road • Johnsburg, Illinois 60051 USA

EI 21 X 1/2
0808-480

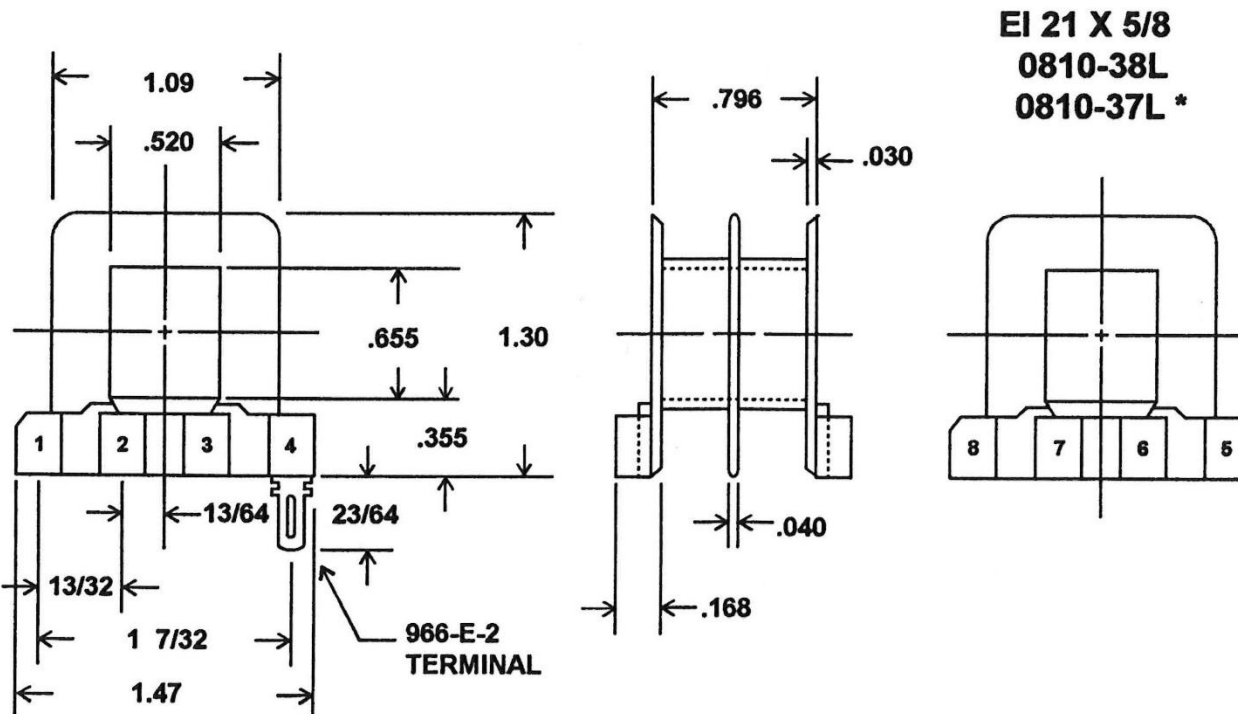
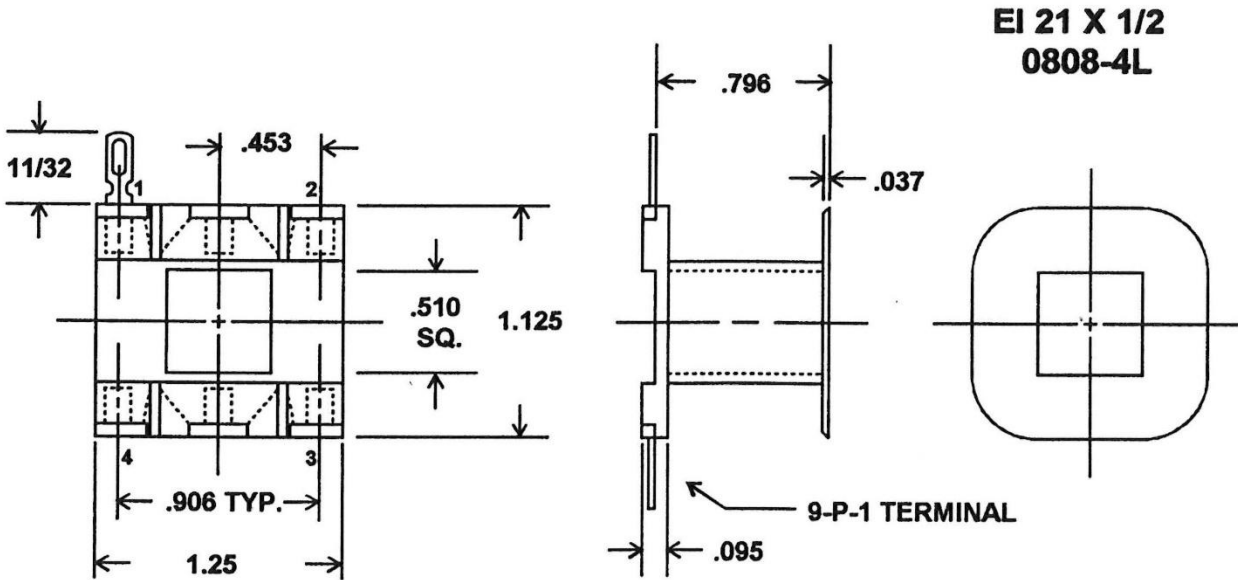


EI 21 X 5/8
0810-10



E
I
2
1

3521 North Chapel Hill Road • Johnsburg, Illinois 60051 USA



* SAME AS 0810-38L EXCEPT TERMINAL 6 DELETED

E
I
2
1