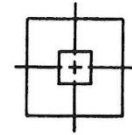
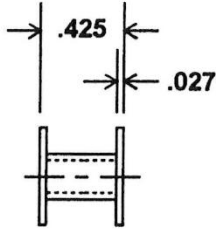
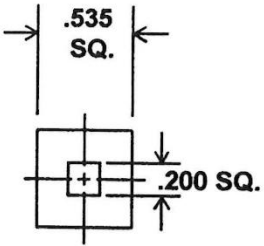
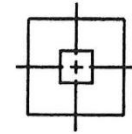
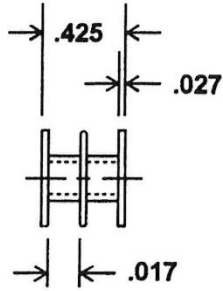
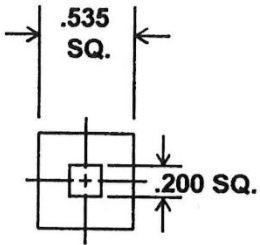


3521 North Chapel Hill Road • Johnsburg, Illinois 60051 USA

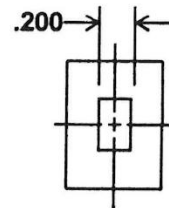
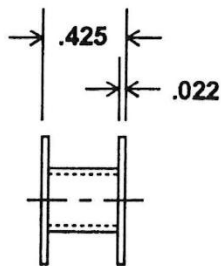
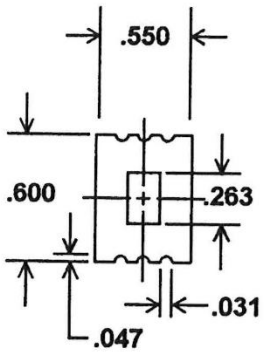
**EI 187 X 3/16
 0303-2**



**EI 187 X 3/16
 0303-3**

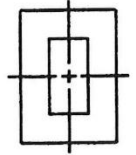
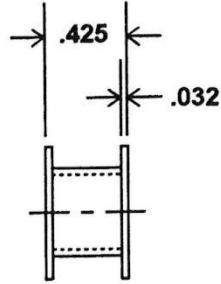
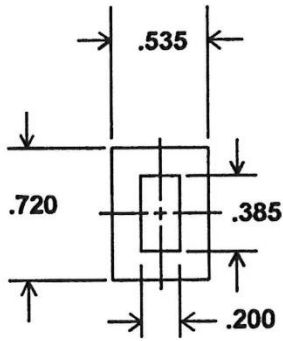


**EI 187 X 1/4
 0304-2**

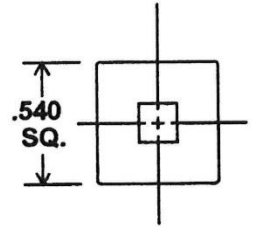
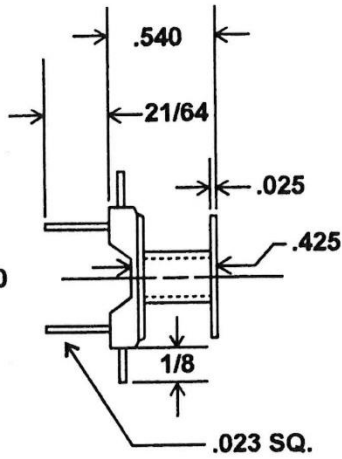
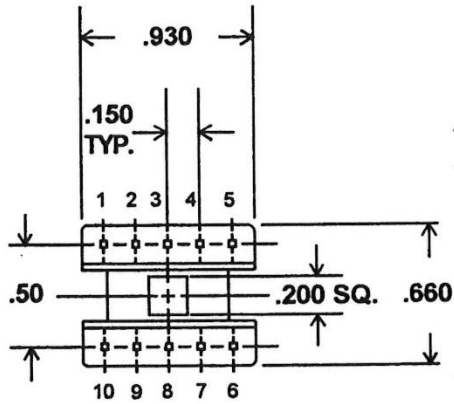


E
 I
 1
 8
 7

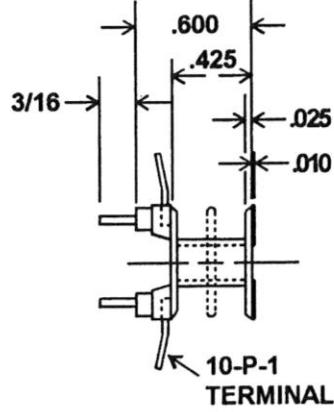
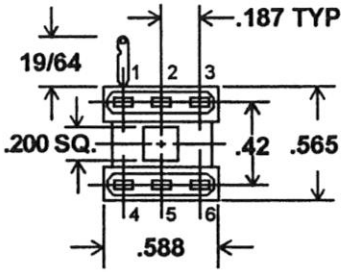
EI 187 X 3/8
0306-2



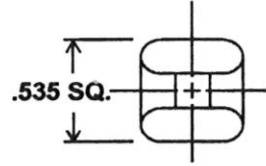
EI 187 X 3/16
0303-10



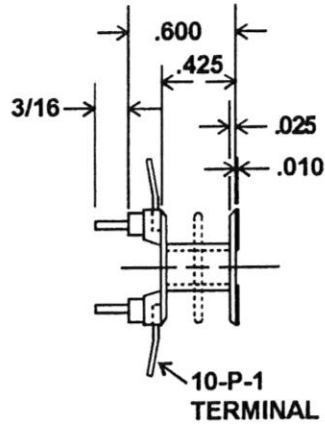
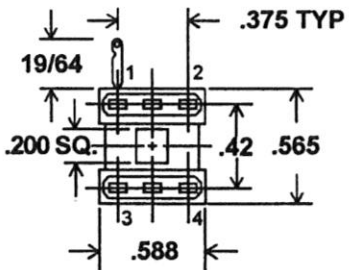
E
 I
 1
 8
 7



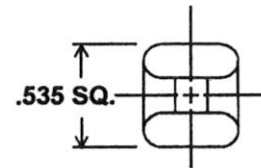
EI-187 X 3/16



PART NO. WITH 6 TERM.	2 FLANGE	3 FLANGE
0303-6	YES	
0303-36		50/50



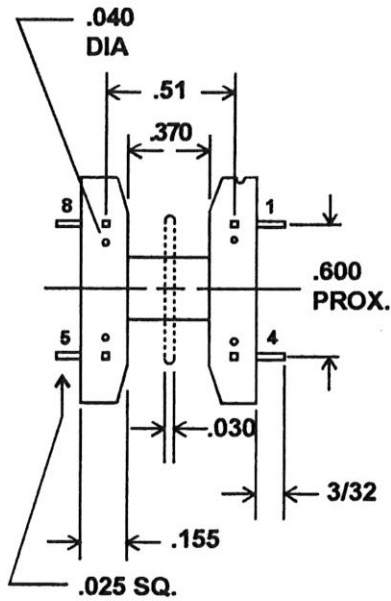
EI-187 X 3/16



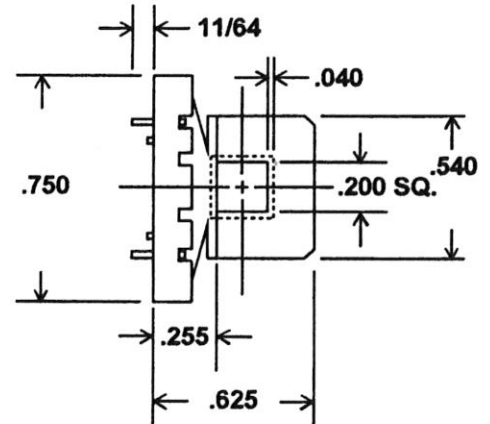
PART NO. WITH 4 TERM.	2 FLANGE	3 FLANGE
0303-437	YES	
0303-3437		50/50

E
I
1
8
7

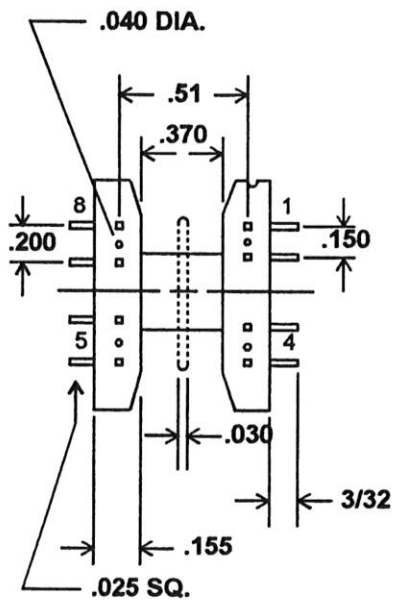
E I 187



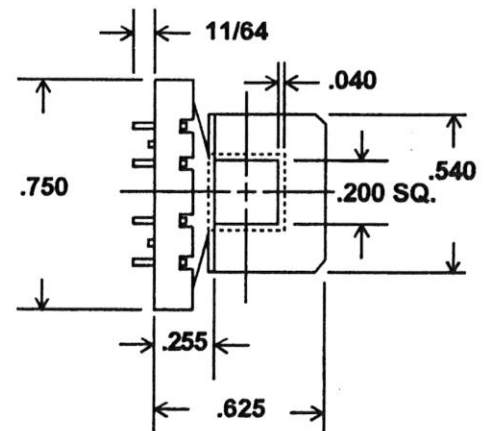
EI 187 X 3/16



PART NO. WITH 4 TERM.	2 FLANGE	3 FLANGE	STAND OFFS
0303-4H	YES		.040
0303-34H		50/50	.040



EI-187 X 3/16



PART NO. WITH 8 TERM.	2 FLANGE	3 FLANGE	STAND OFFS
0303-8H	YES		.040
0303-38H		50/50	.040