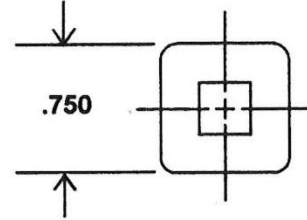
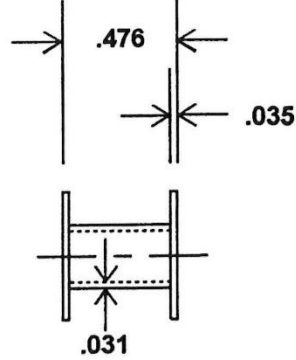
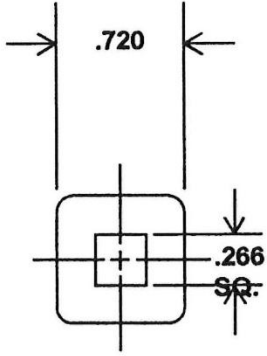
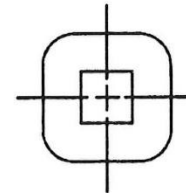
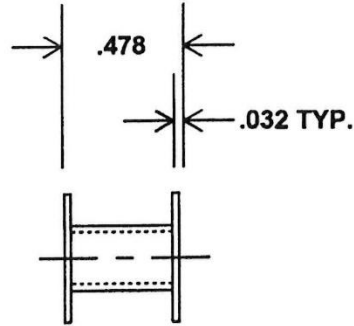
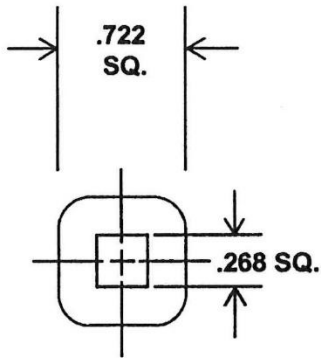


3521 North Chapel Hill Road • Johnsburg, Illinois 60051 USA

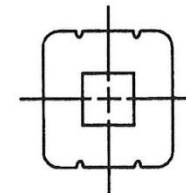
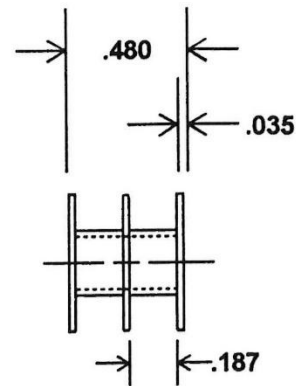
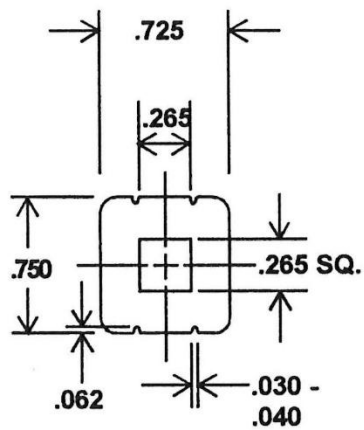
**EE 24 - 25 X 1/4
 0404-2**



**EE 24 - 25 X 1/4
 0404-2R**



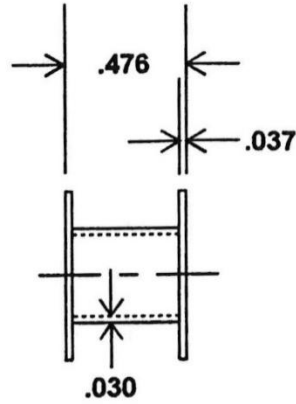
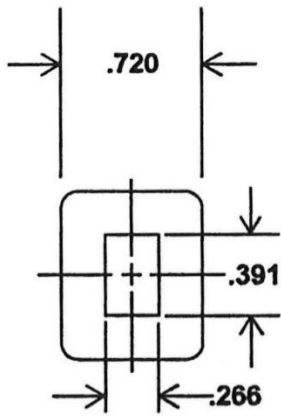
**EE 24 - 25 X 1/4
 0404-3**



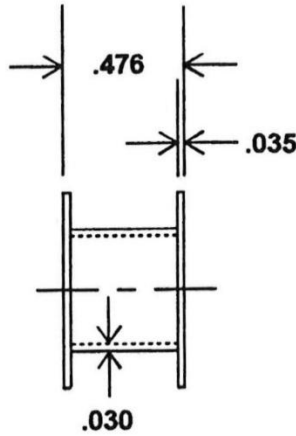
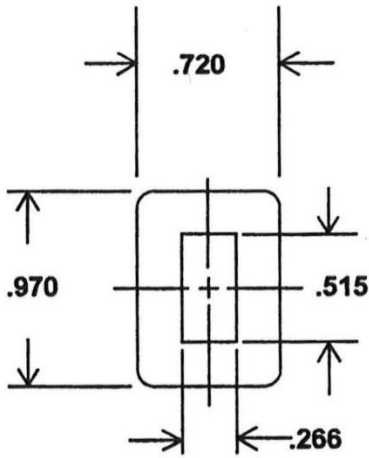
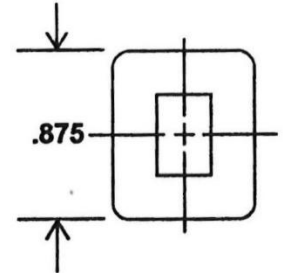
E
 E
 2
 4
 2
 5

3521 North Chapel Hill Road • Johnsburg, Illinois 60051 USA

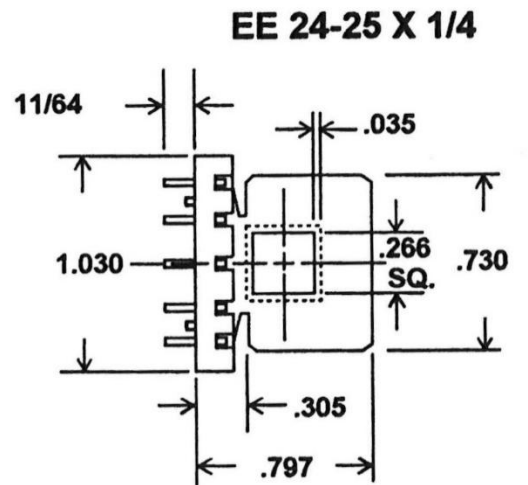
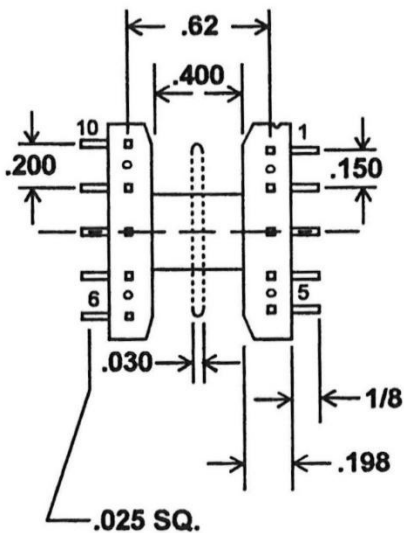
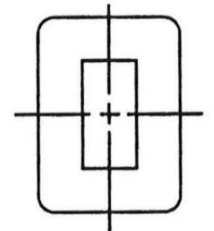
**E
E
2
4
2
5**



**EE 24 - 25 X 3/8
0406-2**



**EE 24 - 25 X 1/2
0408-2**

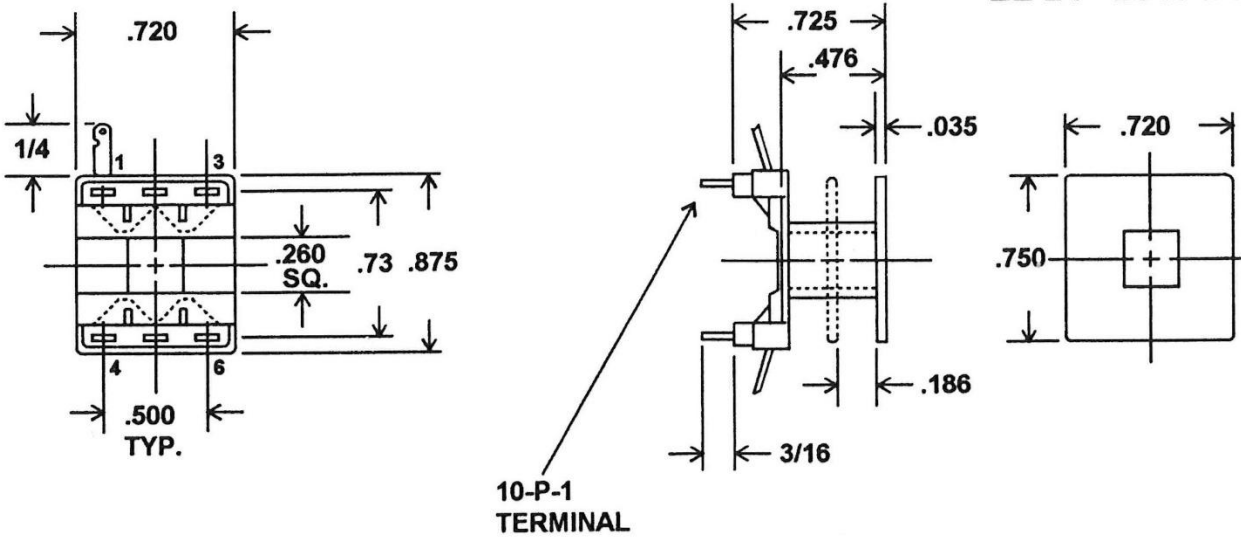


EE 24-25 X 1/4

PART NO. WITH 10 TERM.	2 FLANGE	3 FLANGE	STAND OFFS
0404-10H	YES		.040
0404-310H		50/50	.040

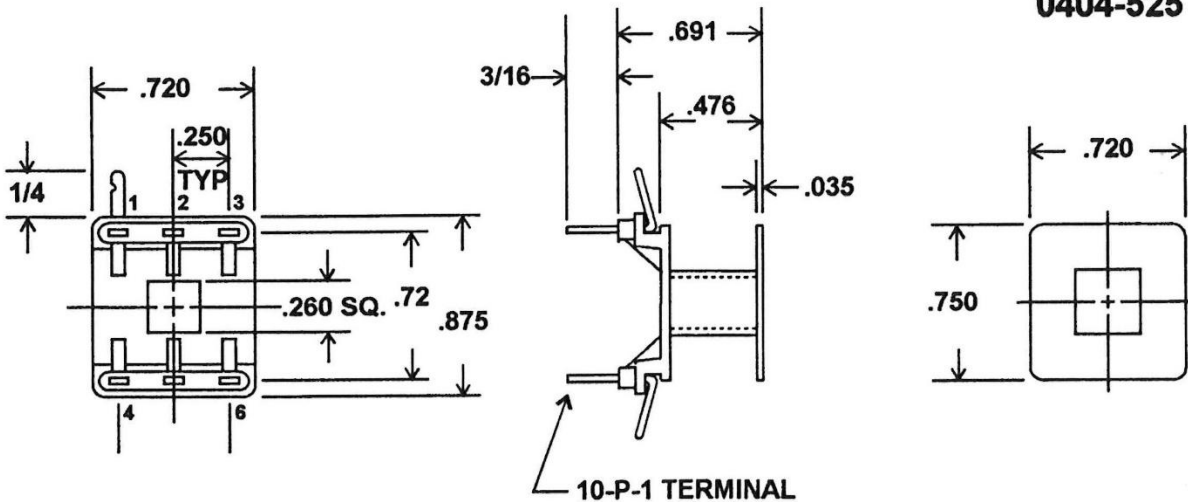
3521 North Chapel Hill Road • Johnsburg, Illinois 60051 USA

EE 24 - 25 X 1/4



PART NO. WITH 4 TERM.	2 FLANGE	3 FLANGE
0404-450	YES	
0404-3450		50/50

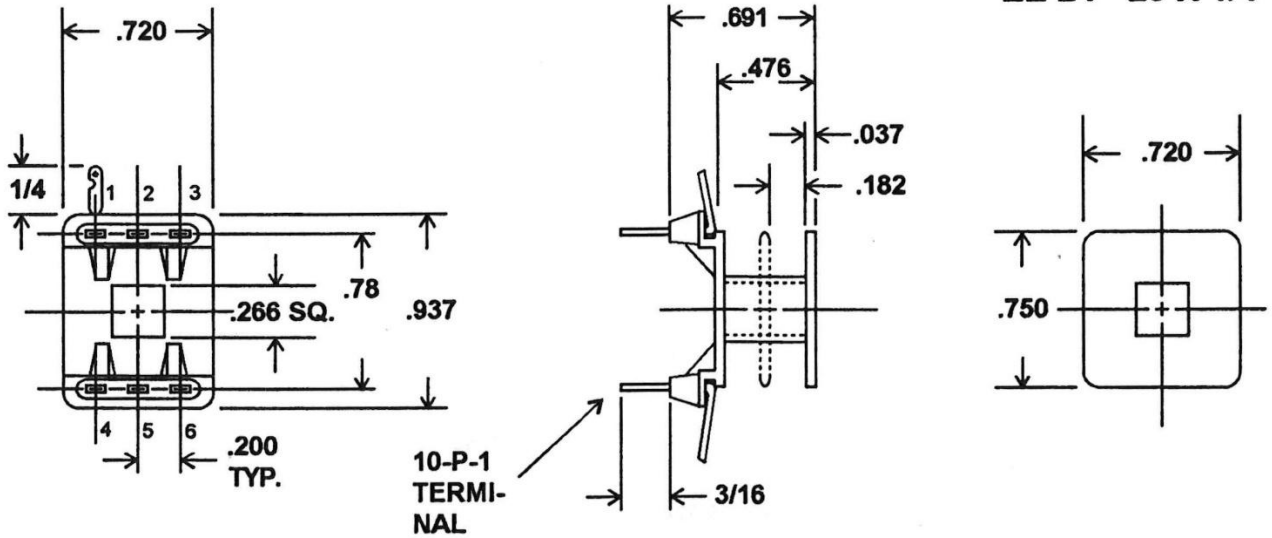
**EE 24 - 25 X 1/4
 0404-525**



E
E
2
4
2
5

3521 North Chapel Hill Road • Johnsburg, Illinois 60051 USA

EE 24 - 25 X 1/4



PART NO. WITH 6 TERM.	2 FLANGE	3 FLANGE
0404-620	YES	
0404-3620		50/50

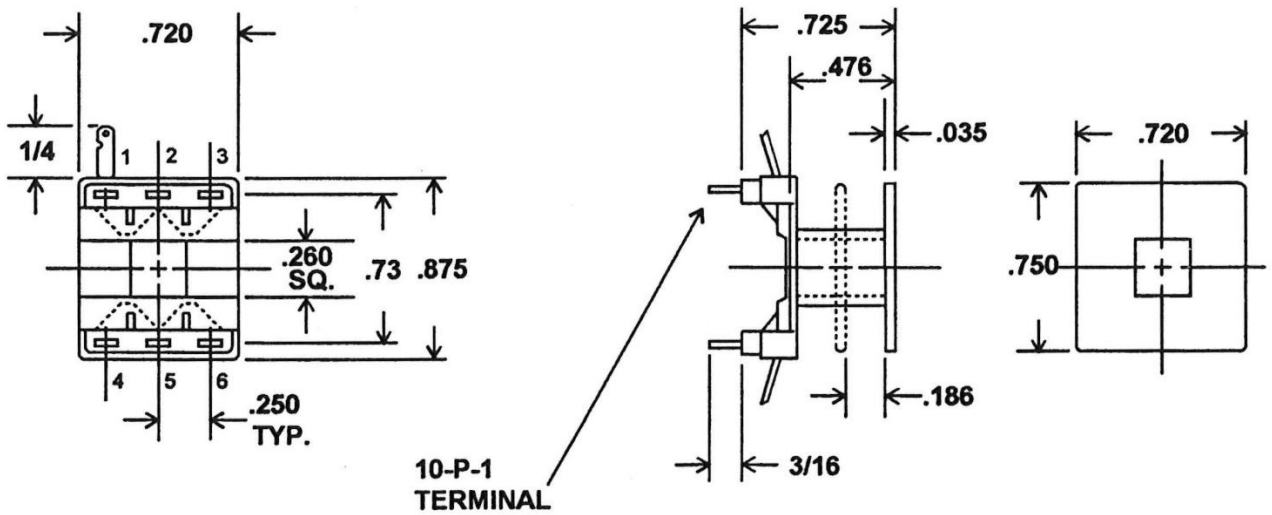
E

2

4

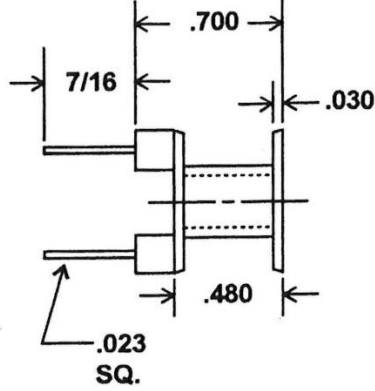
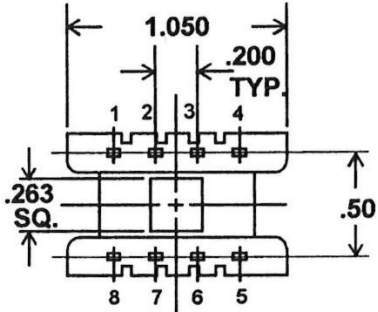
5

EE 24 - 25 X 1/4

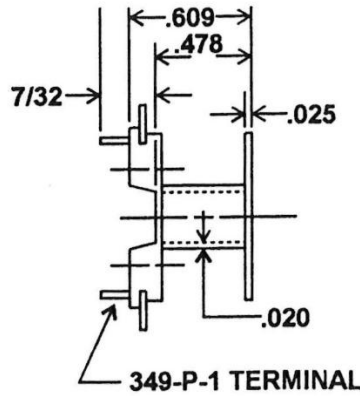
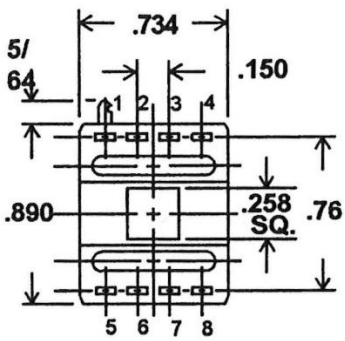
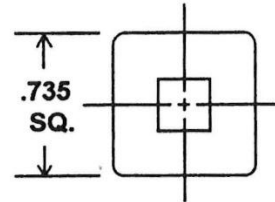


PART NO. WITH 6 TERM.	2 FLANGE	3 FLANGE
0404-625	YES	
0404-3625		50/50

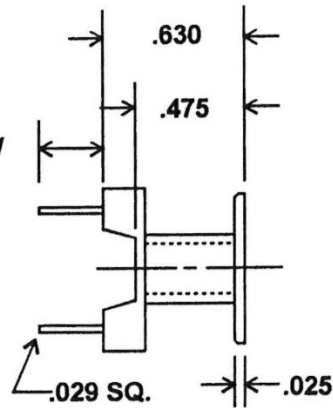
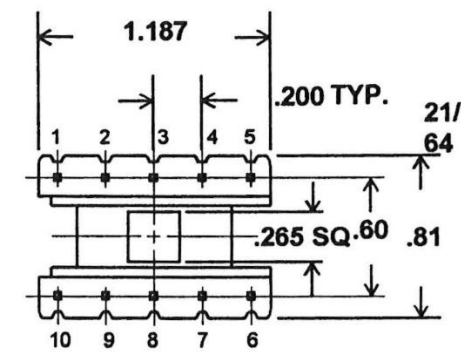
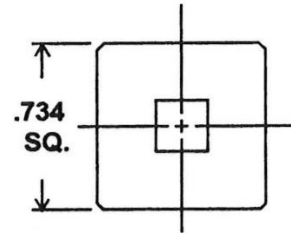
3521 North Chapel Hill Road • Johnsburg, Illinois 60051 USA



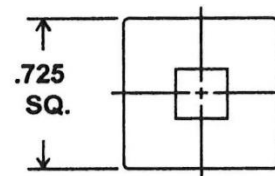
EE 24 - 25 X 1/4
0404-8



EE 24 - 25 X 1/4
0404-815



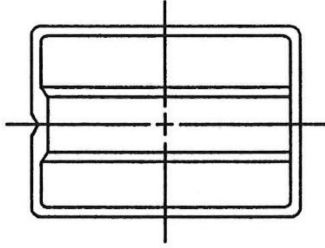
EE 24 - 25 X 1/4
0404-10



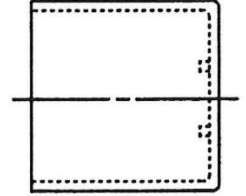
E
E
2
4
2
5

3521 North Chapel Hill Road • Johnsburg, Illinois 60051 USA

0404-10C

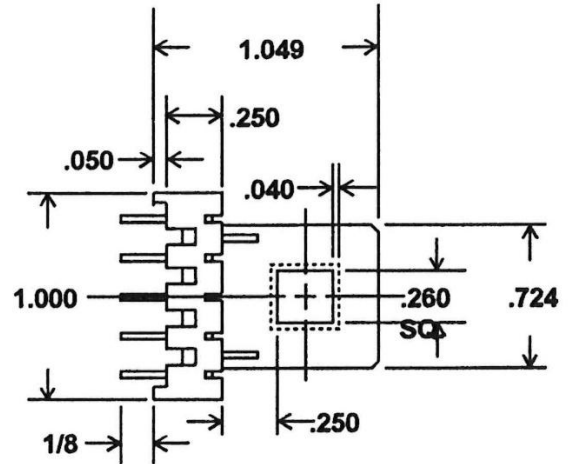
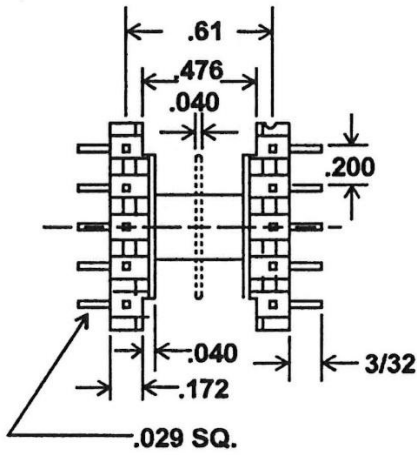


CASE FOR 0404-10 BOBBIN



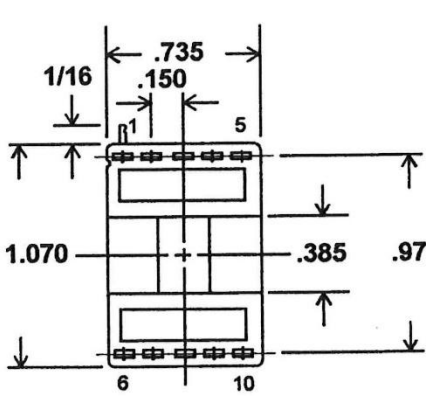
EE 24-25 X 1/4

EE 24-25

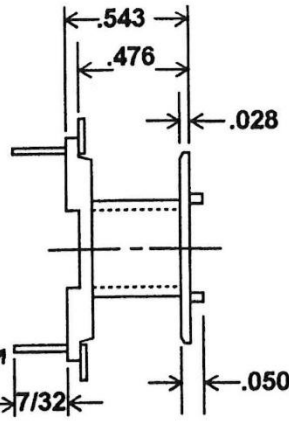


PART NO. WITH 10 PINS	2 FLANGE	3 FLANGE	STAND OFFS
0404-10HS	YES		.050
0404-310HS		50/50	.050

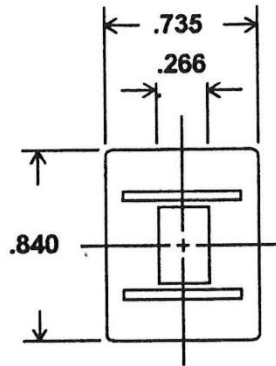
3521 North Chapel Hill Road • Johnsburg, Illinois 60051 USA



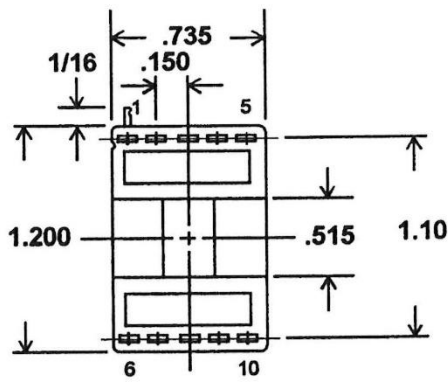
933-P-1 TERMINAL



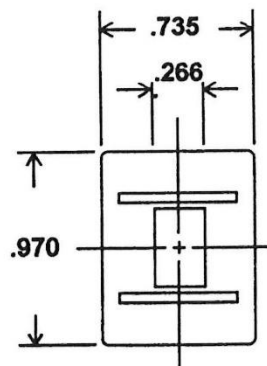
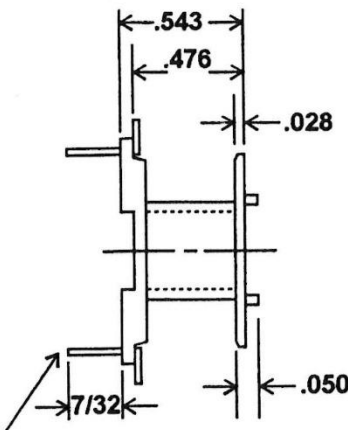
EE 24 - 25 X 3/8
0406-10



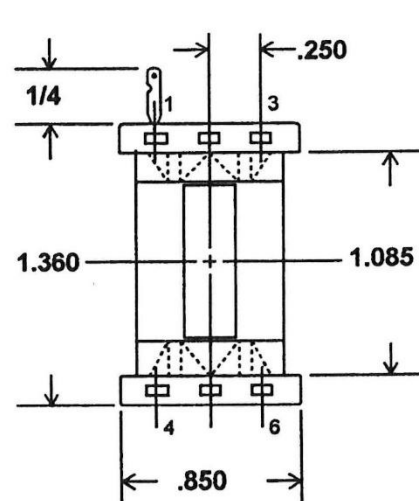
EE 24 - 25 X 1/2
0408-10



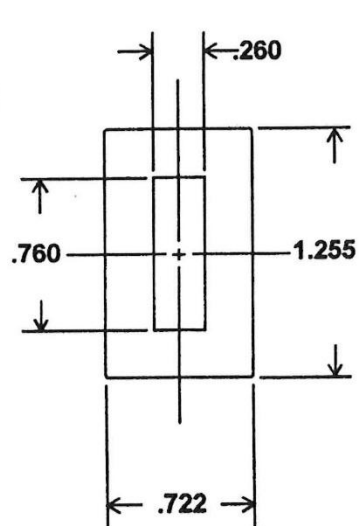
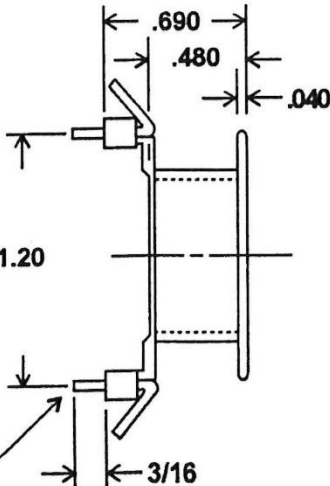
933-P-1 TERMINAL



EE 24 - 25 X 3/4
0412-6



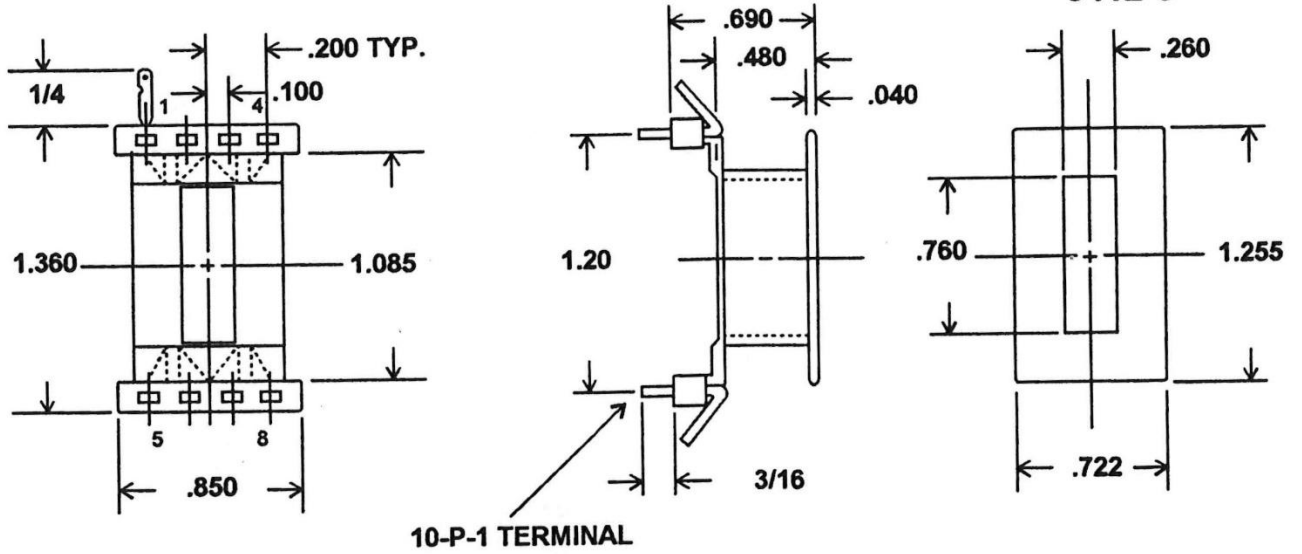
10-P-1 TERMINAL



E
E
2
4
2
5

3521 North Chapel Hill Road • Johnsburg, Illinois 60051 USA

EE 24-25 X 3/4
0412-8



EE
24
25